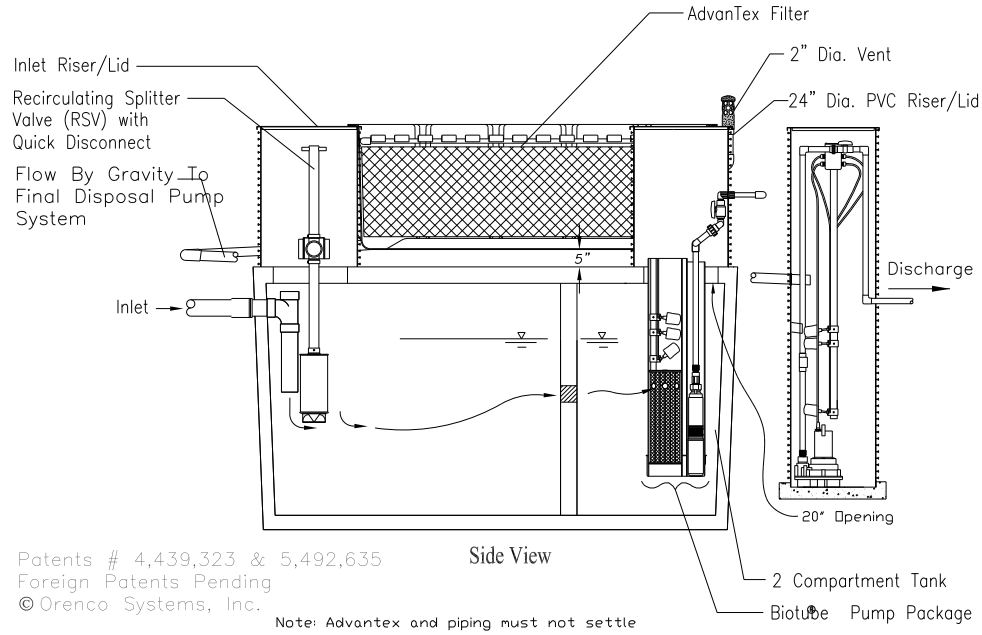
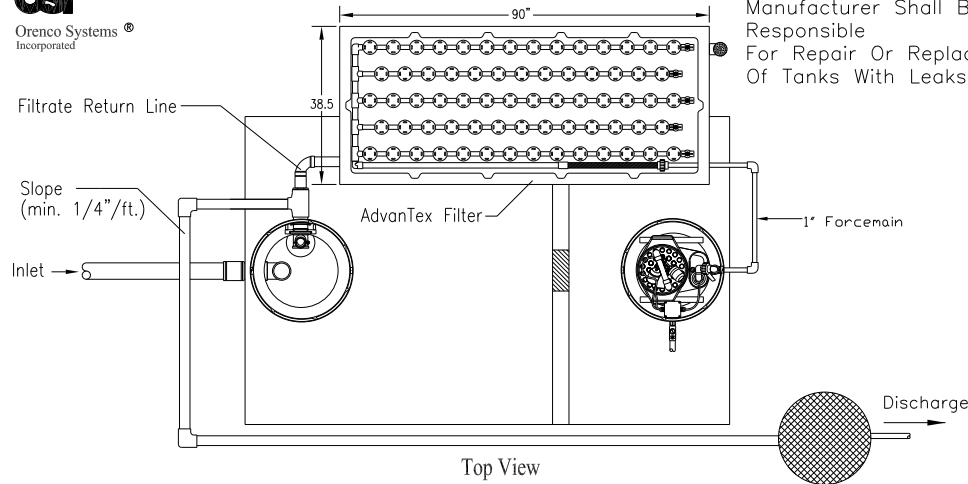


AdvanTex™ Treatment System - 1 Tank Design for  
 AX 20 Series - Mode 3b Enhanced Nitrogen Reduction



Water Tight Tankage Spec.  
 It Is Necessary That Tanks Be Vacuum Or Water Tested To Certify Water Tight Tankage. PVC Acces Risers Must Be Water Tight, Epoxied To Tankage And Bolted Down For Liability Consideration. Contractor/Tank Manufacturer Shall Be Responsible For Repair Or Replacement Of Tanks With Leaks or Defects.



Patents # 4,439,323 & 5,492,635  
 Foreign Patents Pending  
 © Orengo Systems, Inc.

Note: Advantex and piping must not settle

File: A17 AX 20 Mode 3b (1 Tank, Pumped)

DRAWING NO. A17	NO	REVISION	DATE	BY
	1.			
	2.			
	3.			
	4.			
5.				



7125 East Pickard Road  
 P. O. Box 309  
 Mt. Pleasant, MI 48804-0309  
 ph-989-773-9938  
 fax-989-772-3415

DRAWN jdu  
 SCALE  
 DATE 8/26/03  
 APPROVED





