

Advantex Treatment System - 2 Tank Design

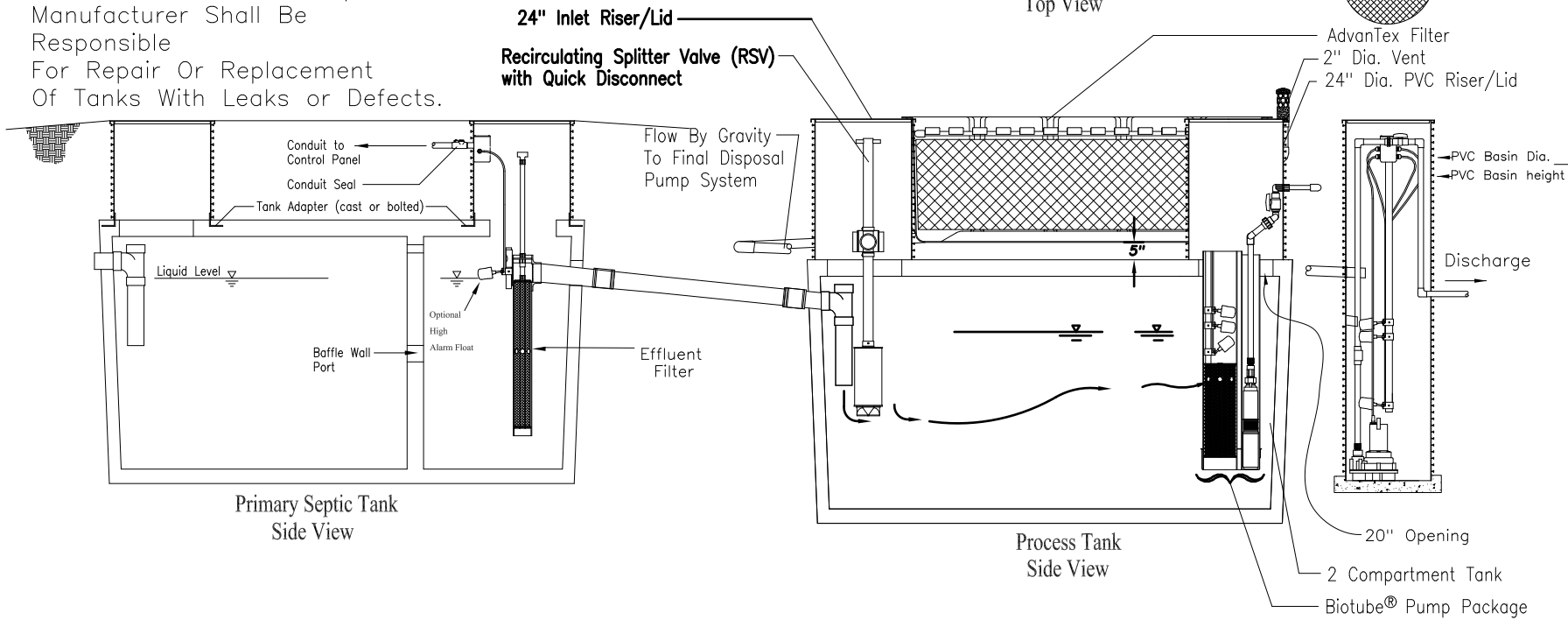
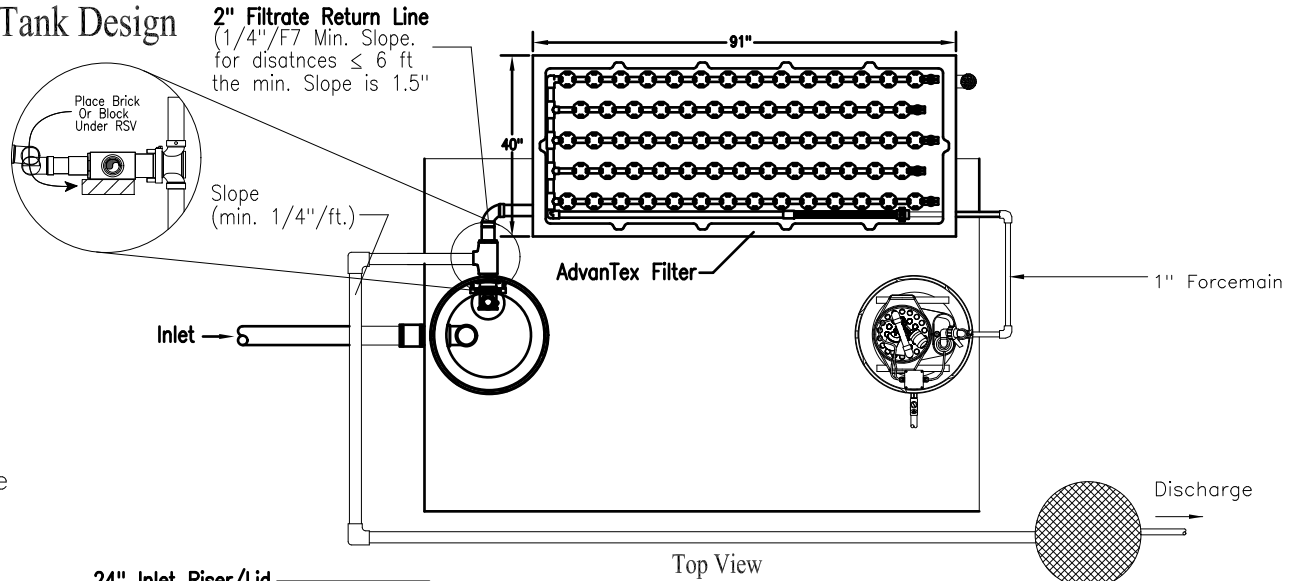
AX 20 Series - Mode 1b



Oreco Systems[®]
Incorporated

Water Tight Tankage Spec.

It Is Necessary That Tanks Be Vacuum Or Water Tested To Certify Water Tight Tankage. PVC Acces Risers Must Be Water Tight, Epoxied To Tankage And Bolted Down For Liability Consideration. Contractor/Tank Manufacturer Shall Be Responsible For Repair Or Replacement Of Tanks With Leaks or Defects.



Note : Advantex and Piping Must Not Settle

Patents # 4,439,323 & 5,492,635
Foreign Patents Pending
© Oreco Systems, Inc.

DRAWN	JDU
SCALE	
DATE	8/18/03
APPROVED	

7125 East Pickard Road
P. O. Box 309
Mt. Pleasant, MI 48804-0309
ph-989-773-9938
fax-989-772-3415



BY	SLB
DATE	
REVISION	6/08
NO	1.
	2.
	3.
	4.
	5.

SHEET	1
OF	1

DRAWING NO.
A19