



Orenco Systems[®]
Incorporated

6' Pump Basin

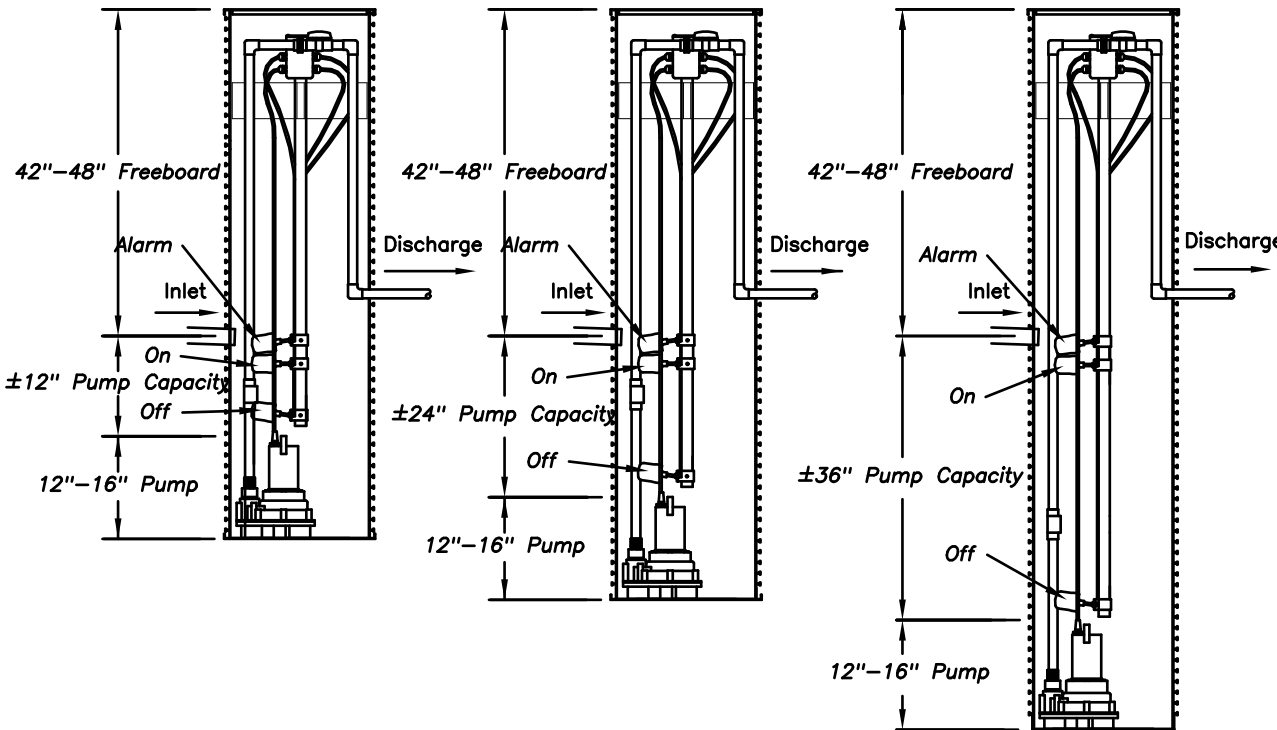
72"

7' Pump Basin

84"

8' Pump Basin

96"



6' Pump Basin (72")

Model	Diameter	Pumping Capacity
PB 2472	24"	23 Gallons
PB 3072	30"	36 Gallons

7' Pump Basin (84")

Model	Diameter	Pumping Capacity
PB 1884	18"	25 Gallons
PB 2484	24"	45 Gallons
PB 3084	30"	71 Gallons

8' Pump Basin (96")

Model	Diameter	Pumping Capacity
PB 1896	18"	38 Gallons
PB 2496	24"	68 Gallons
PB 3096	30"	107 Gallons

NOTE:

- 18" Basin = 1.06 gal/in
- 24" Basin = 1.88 gal/in
- 36" Basin = 2.96 gal/in

DRAWN jdu
SCALE
DATE 12/20/04
APPROVED

7125 East Pickard Road
P. O. Box 309
Mt. Pleasant, MI 48804-0309
ph-989-773-9938
fax-989-772-3415



NO	REVISION	DATE	BY
1.	12/04	Idu	
2.	6/08	SLB	
3.			
4.			
5.			

DRAWING NO. B5

6,7,8 PB

AdvanTex Pump Basin