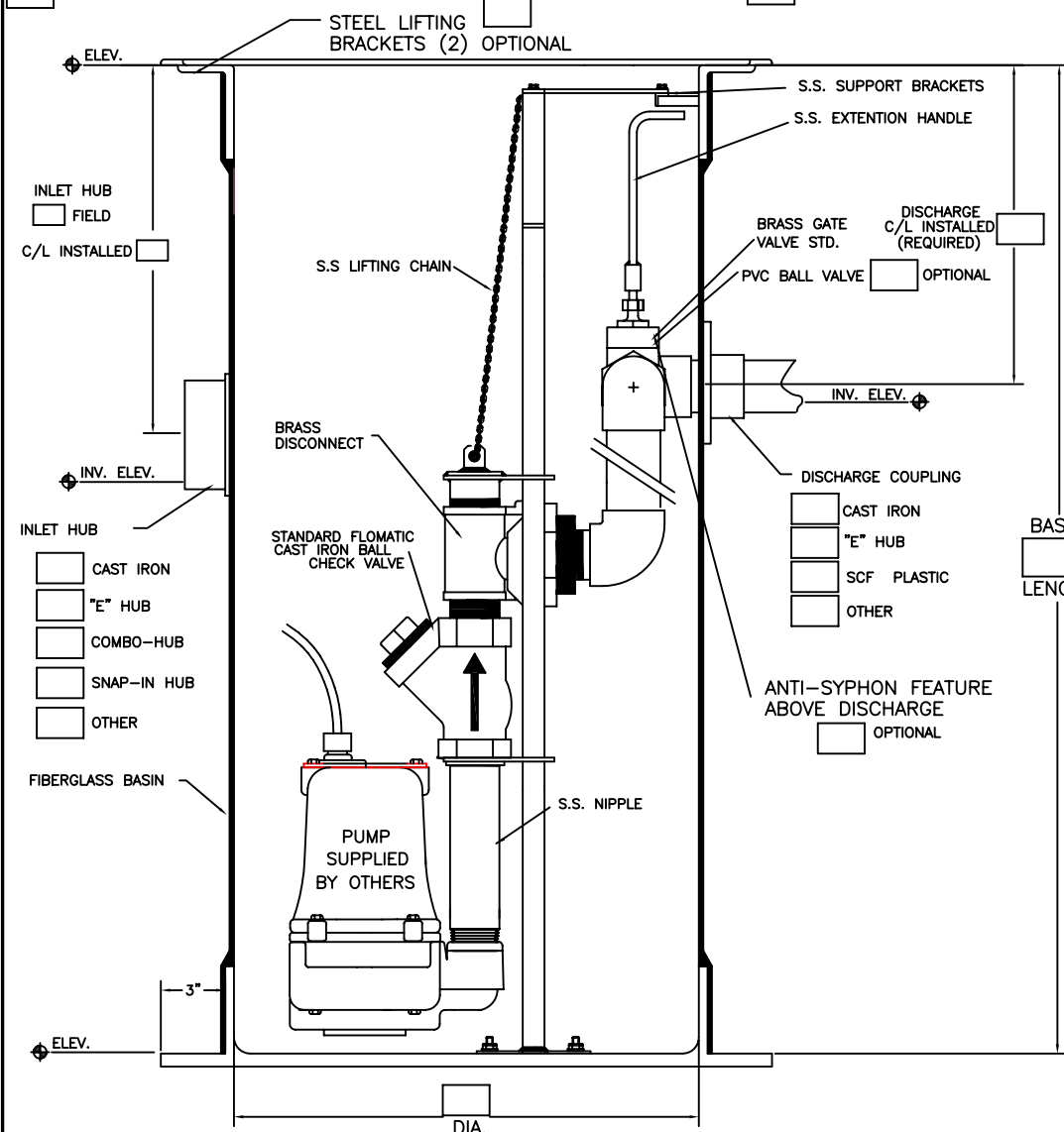
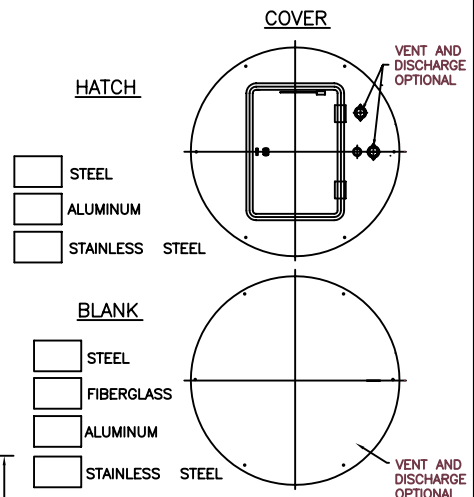
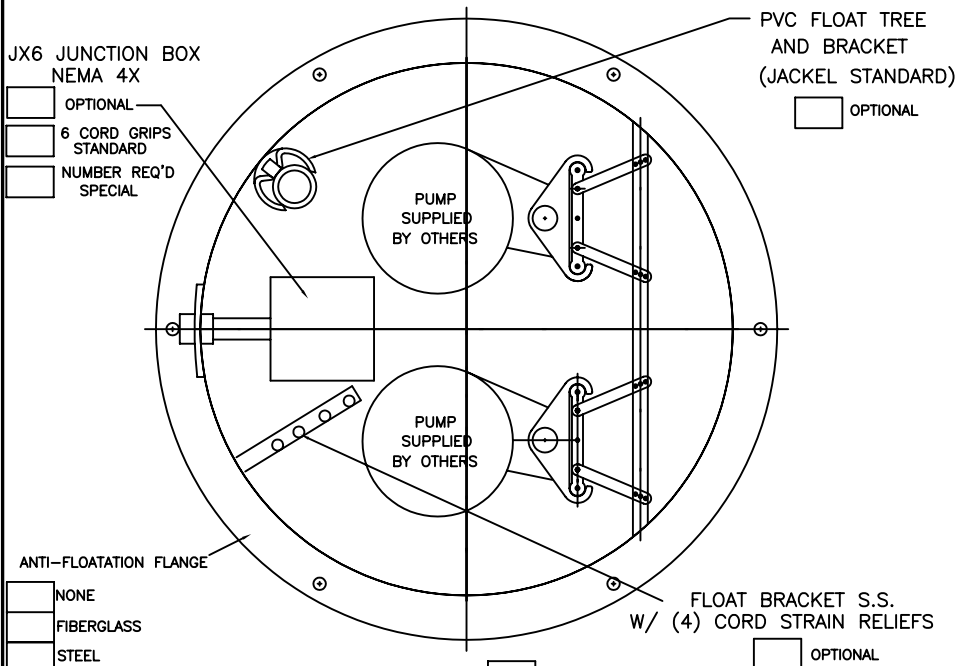


DUPLEX RAIL SYSTEM

| | |
|-------------|--------------|
| CUSTOMER | |
| PART No. | JRJKS- -D- - |
| P.O. NUMBER | |
| QUOTED BY: | |
| ORDER DATE: | |
| SHIP DATE: | |
| LEAD TIME: | |



OTHER P/N _____

SCREENED VENT 2" 3"

PUMP INFORMATION REQUIRED

| | |
|-----------|--|
| PUMP MFG. | |
| MODEL No. | |

NOTES:

BASIN LENGTH