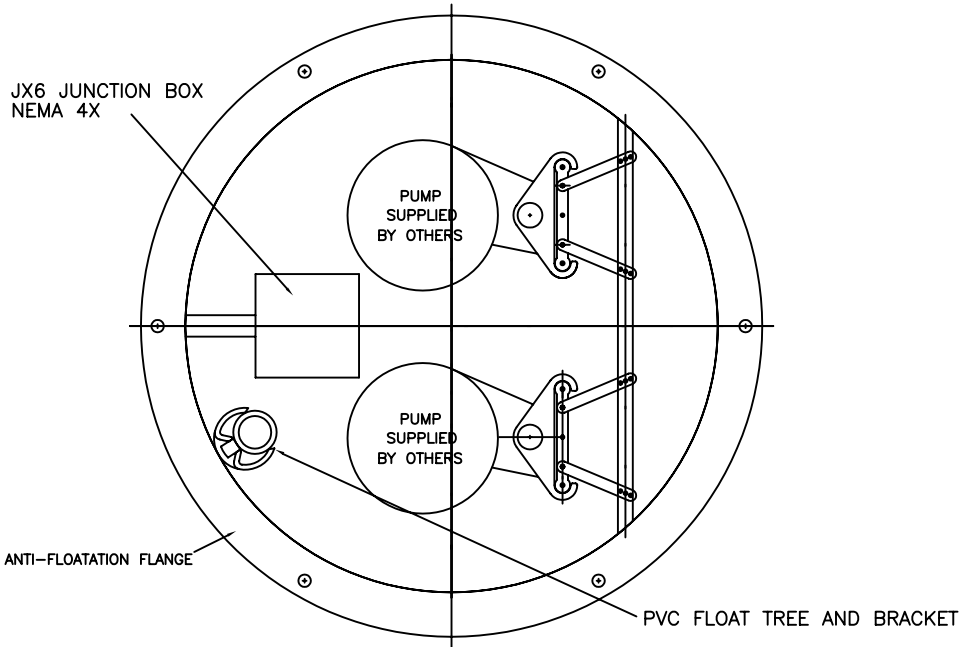
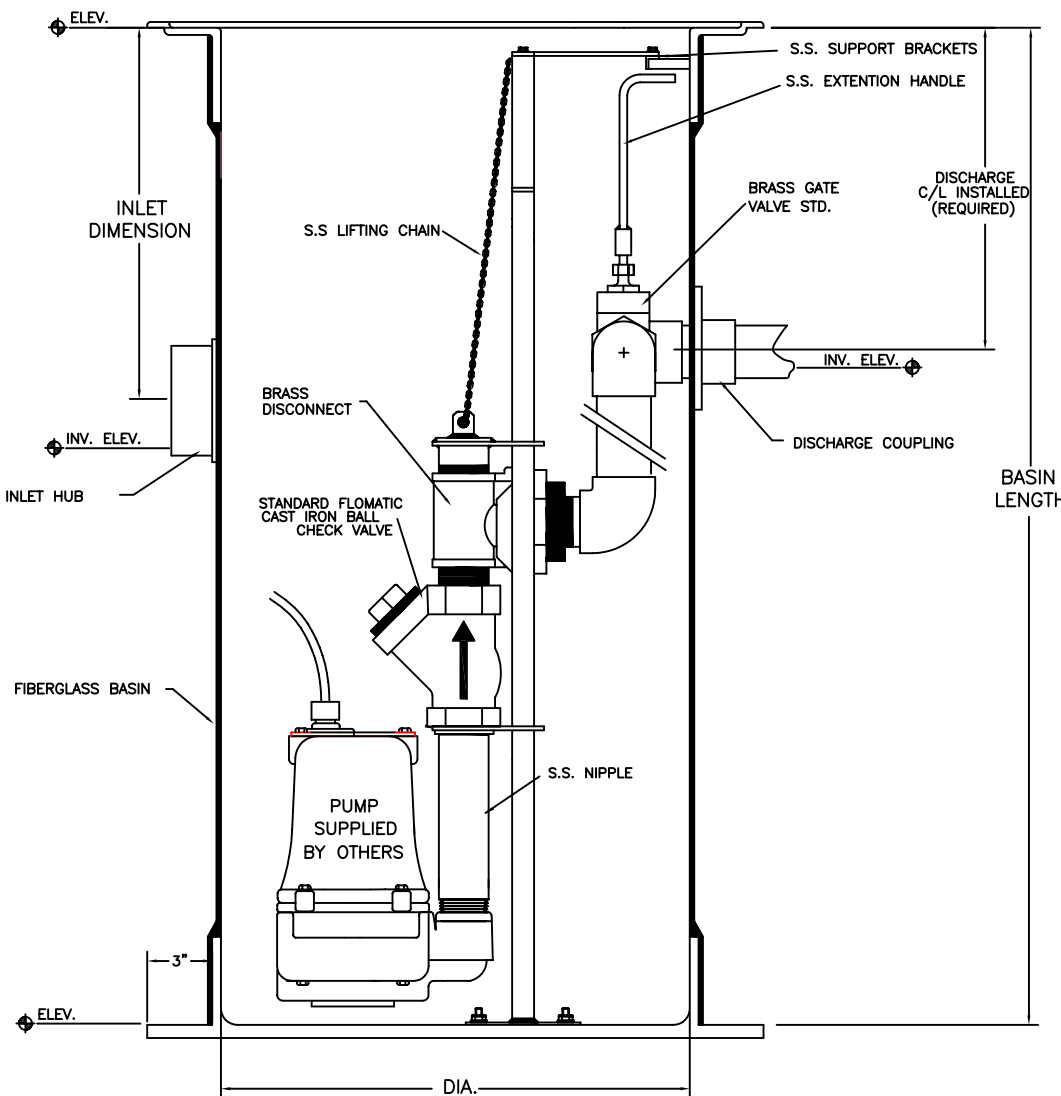
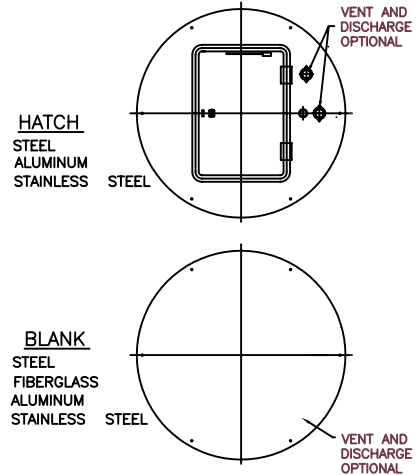


TYPICAL DUPLEX PUMP STATION

FOR PUMPS WITH 1 1/4", 1 1/2" AND 2" DISCHARGE



COVERS AVAILABLE



QTY.	DESCRIPTION
BASIN	
1	FILAMENT WOUND FIBERGLASS BASIN
1	ANTI-FLOAT OR BASEPLATE OPTIONAL
2 SETS	STAINLESS STEEL STUDS (8)
GUIDE RAIL PACKAGE	
2 SETS	STAINLESS 3/4" SCH.40 GUIDE RAILS
2 SETS	STAINLESS GUIDE PLATE
2	BRASS DISCONNECT
2	STAINLESS DROP-PIPE TO ATTACH PUMP
2	STAINLESS LIFT OUT CHAINS
2 SETS	STAINLESS WALL MOUNTING BRACKETS WITH STAINLESS HARDWARE
INLET & DISCHARGE PIPING	
1	FLEXIBLE DISCHARGE HUB
1	4" FLEXIBLE INLET HUB
AS REQ'D	SCH.80 PVC PIPING & FITTINGS ON DISCHARGE SIDE
VALVES	
2	EPOXY COATED CAST IRON BALL CHECK VALVE INSTALLED PUMP SIDE
2	BRASS GATE VALVE/STAINLESS EXTENSION HANDLE, INSTALLED DISCHARGE SIDE
ADDITIONS	
1	PVC FLOAT TREE
1	NEMA 4X JUNCTION BOX
OPTIONAL VALVES	
	SCH.80 PVC BALL CHECK VALVE
	BRASS SWING CHECK VALVE
	SCH.80 PVC BALL SHUT-OFF VALVE
	SCH.80 PVC TRUE UNION BALL SHUT-OFF VALVE
OPTIONAL HUBS AND FLANGES	
	CAST IRON
	STAINLESS STEEL
	PARALLEL
ACCESSORIES	
	MODEL #2900 FLOAT SWITCHES
	ADAPTOR FOR VENT PROVISION
	ANTI-SYPHON OPTION

JACKEL

574.256.5635 PHONE 574.256.6966 FAX WWW.JACKELINC.COM

JACKEL PART NUMBER

JRJKS-125-150-200 -D-FB-JX4
OPTIONAL