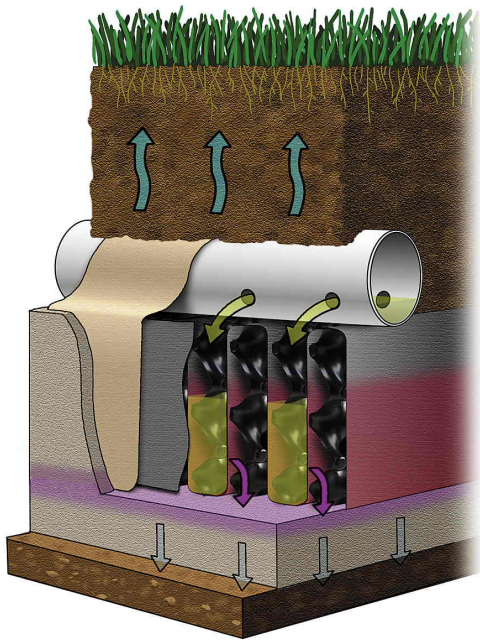
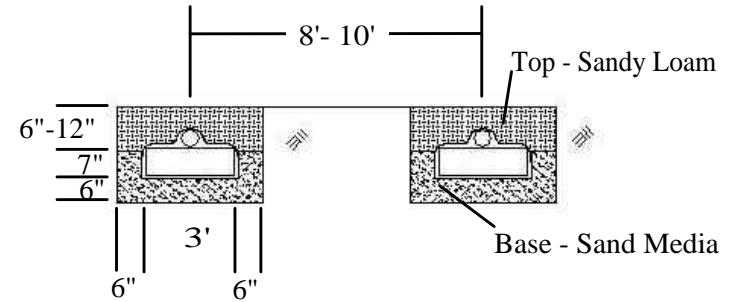
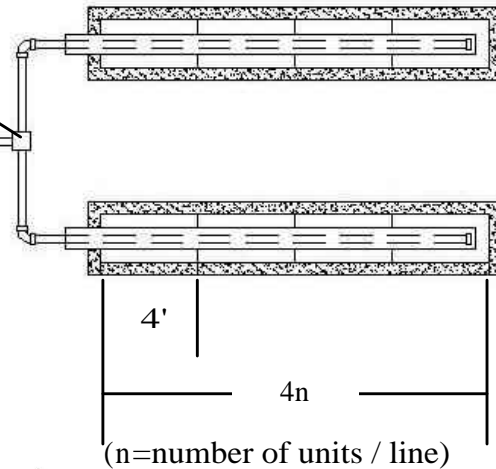


Drainfield - Trenches, Reduced Area
 Gravity Flow - Long & Narrow

Distribution Box
 w/ Flow Adjust.

From Septic Tank



ELJEN System - How it Works...

- Porous top of the Eljen System allows oxygen exchange for better treatment
- Anti-siltation fabric keeps soil fines out of the system
- Cusped plastic core provides separation between layers of Bio-Mat fabric, structural integrity of modules, and increased effluent storage area
- Biomat forms in fabric and sand providing treatment zone
- 10ft² of fabric for every 1ft² of soil interface
- Forming biomat in fabric and sand increases long term acceptance rate of natural soil compared to conventional systems

Benefits:

- Area is 57% of Michigan criteria sizing
- Improved filtration
- Biomat is lifted off of natural soil
- Natural soil permeability is preserved
- Improved aeration where water enters soil
- Installation without heavy stone
- No imported fines on stone

System Notes:

- See sizing chart for number of units suggested
- Number of lines - as needed
- See sand media spec

**Contact your local
 health department for
 application and acceptance**



7125 E Pickard Rd
 Mt Pleasant MI 48858
 Phone: (989) 773-9100
 Fax: (989) 772-3415



Title: Eljen Drainfield, Reduced Area Gravity Flow - Trenches (Long)	
Author: <i>TLL</i>	
Date: 8/08	Sheet: Eljen 4
Revision:	