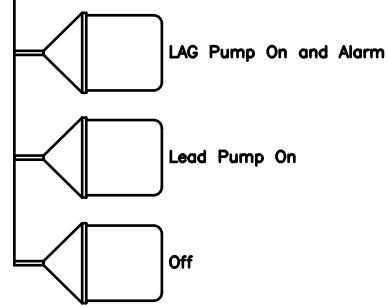
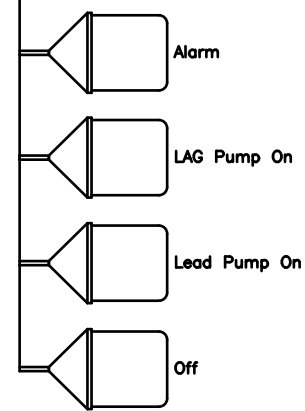


Duplex Float Arrangements

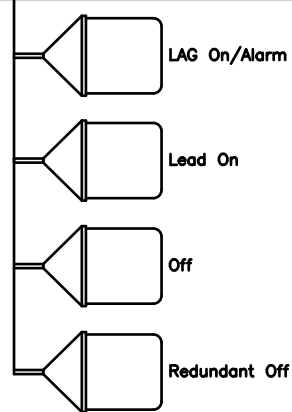
Pump and Alarm



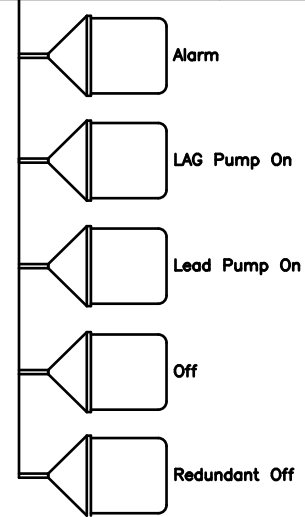
Pump Diff., Alarm, and Redundant



Pump, Alarm, and Redundant



Pump, Alarm, and Redundant



Signal or Wide Angle switches can be used

DRAWING NO. FLS	SHEET	NO	REVISION	DATE	BY	<p style="margin: 0;">7125 East Pickard Road P. O. Box 309 Mt. Pleasant, MI 48804-0309 ph-989-773-9938 fax-989-772-3415</p>	DRAWN jdu
	1	1	12/04		jdu		SCALE
	2						DATE 12/20/04
	3						APPROVED
	4						
5							