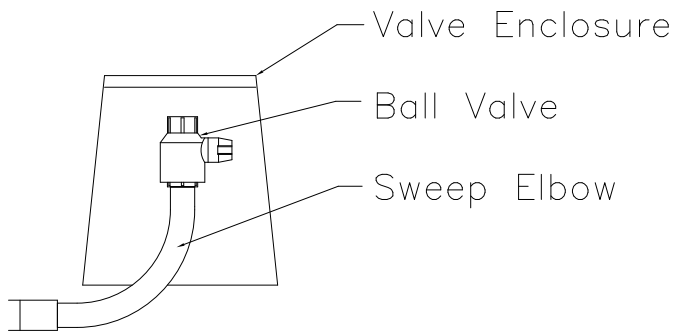
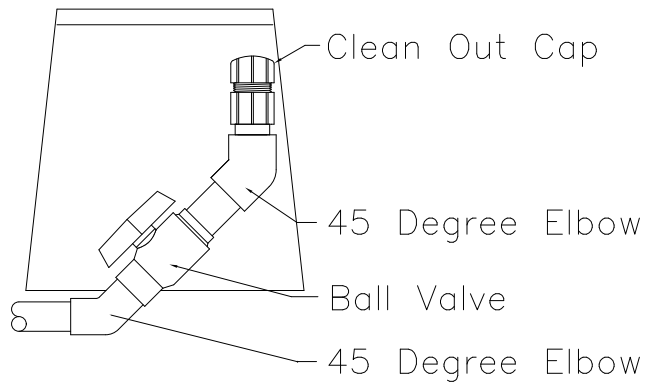


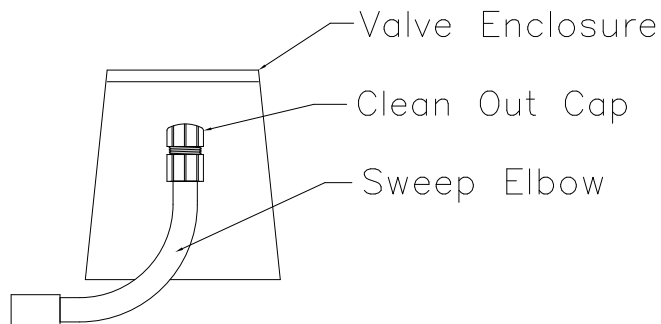
Flush Out Assembly Options



FLUSH VALVE DETAIL

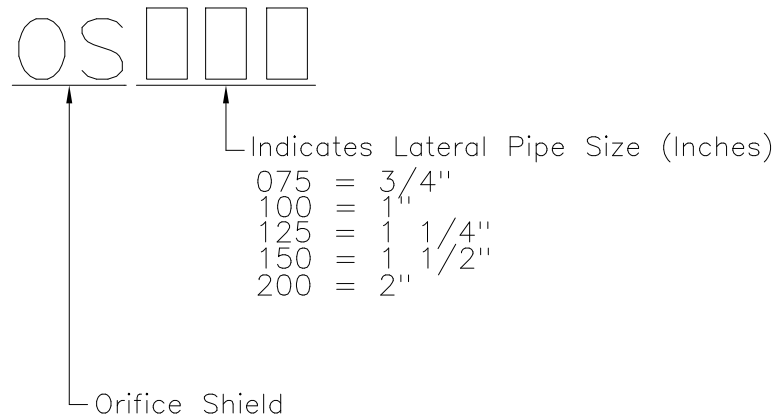
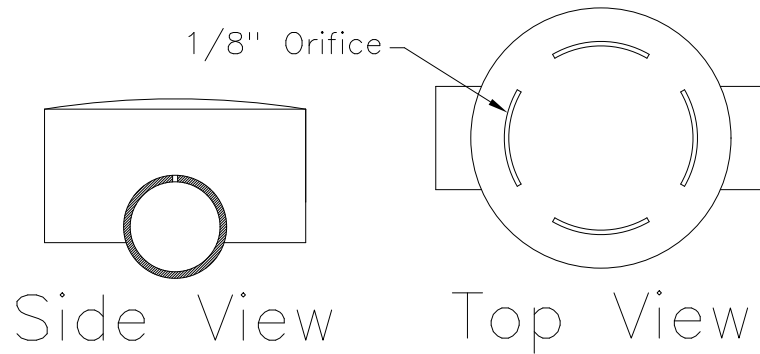


FLUSH VALVE DETAIL



FLUSH ASSEMBLY DETAIL

Orifice Shield



Notes:

- 1) 3/4" Lateral=7" Dia. Valve Box
- 2) 1"-1.5" Lateral=10" Dia. Valve Box or 12"x17" Box
- 3) All Lateral Flush Assemblies Should Be Open At Start-Up To Flush
- 4) Available In 3/4", 1", 1 1/4", 1 1/2", and 2" Diameters

DRAWN jdu
SCALE
DATE 12/16/04
APPROVED

7125 East Pickard Road
P. O. Box 309
Mt. Pleasant, MI 48804-0309
ph-989-773-9938
fax-989-772-3415



NO	REVISION	DATE	BY
1		12/04	jdu
2		6/08	SLB
3			
4			
5			

SHEET 1 OF 1

DRAWING NO. LAT