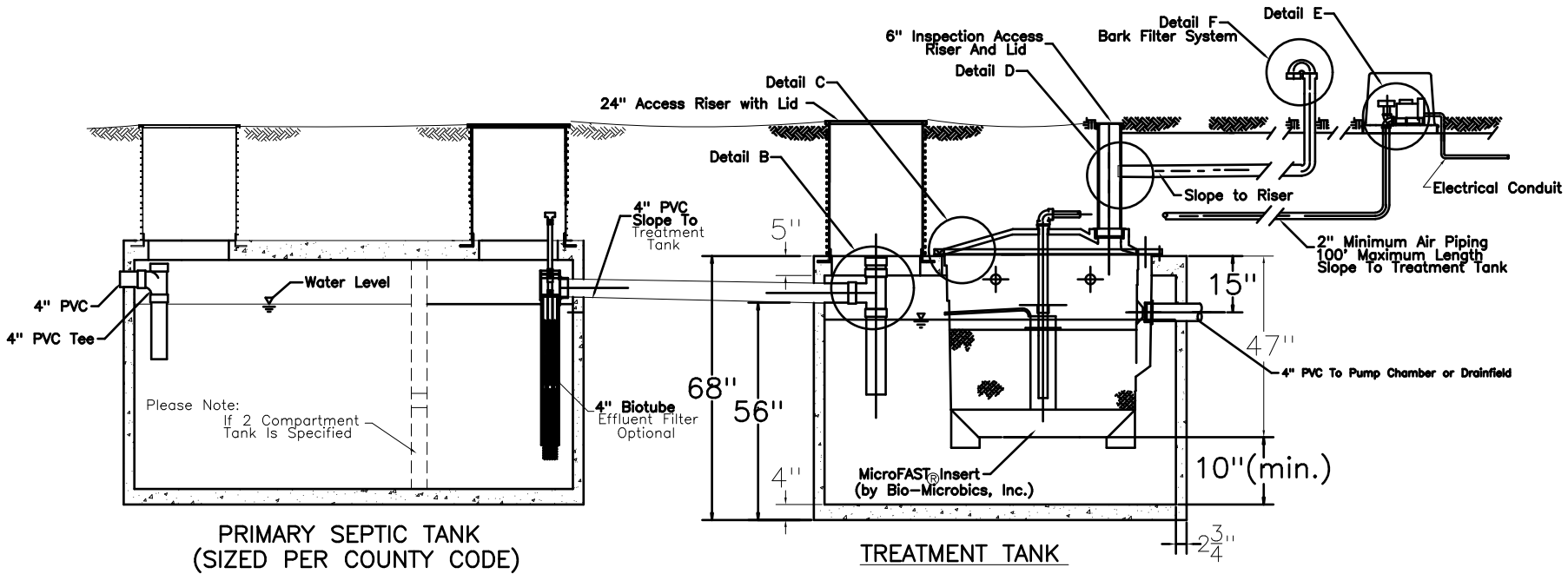
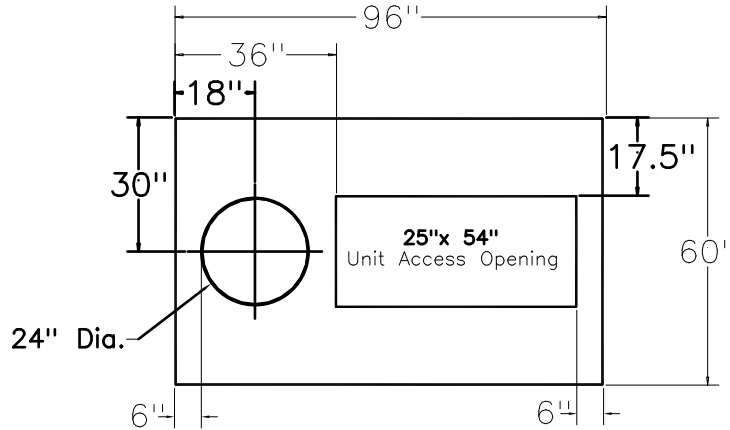


# Treatment Tank Cover Dimensions

MicroFAST® 0.5 (500 GPD) Opening Detail

## Notes

1. Access Risers On All Tanks Sealed/Bolted
  2. Water Tight Tanks
  3. Sanitary Tee On Treatment Tank Must Be Capped And Extend Below Water Level.
- Note: Odors From Septic Tank Will Otherwise Migrate To Treatment Tank
4. Blower Must Be Within 100 Feet Of The FAST® Unit
  5. Run Vent To Desired Location And Install Suggested Bark Filter System For Any Migrant Odors
  6. Slope Bark Filter Vent Piping Towards Treatment Tank
  7. Slope Blower Piping Towards Treatment Tank
  8. Elevate Blower Above Tank Water Level



PRIMARY SEPTIC TANK  
(SIZED PER COUNTY CODE)

TREATMENT TANK

DRAWN	SCALE	DATE	APPROVED
jdu		12/20/04	

7125 East Pickard Road  
P. O. Box 309  
Mt. Pleasant, MI 48804-0309  
ph-989-773-9938  
fax-989-772-3415



NO	REVISION	DATE	BY
1		12/04	jdu
2		6/08	SLB
3			
4			
5			

SHEET	OF
1	3

DRAWING NO.  
M1