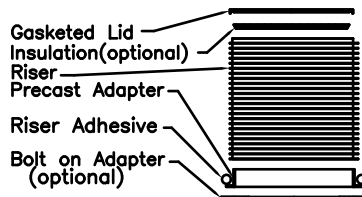


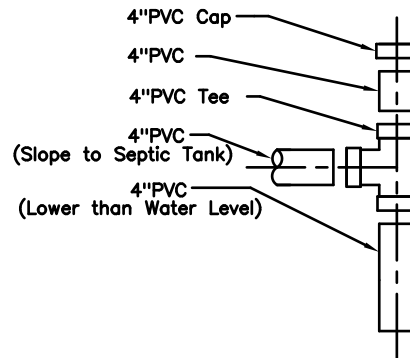
Notes

1. Blower Must Be Within 100 Feet Of Fast Unit. For Distances Greater Than 100 Feet—Consult Factory. Blower Base Must Be Located Above Grade Level, At A Higher Elevation Than The Fast Unit.
2. Run Vent To Desired Location And Install Suggested Bark Filter Note: Odors May Be Present Without Filter
3. All Appurtenances To MicroFAST (e.g. Septic Tank, Pump Outs, Etc.) Must Conform To All Country, State, Province, And Local Codes.
4. Blower Control System By Bio-Microbics.
5. Copyright (c) 1997, Bio-Microbics Inc.

Detail A
Riser Assembly Detail

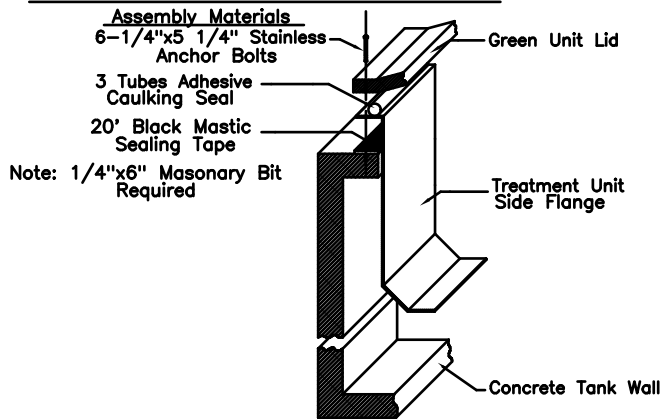


Detail B
Sanitary Inlet Tee Assembly
(Treatment Tank)

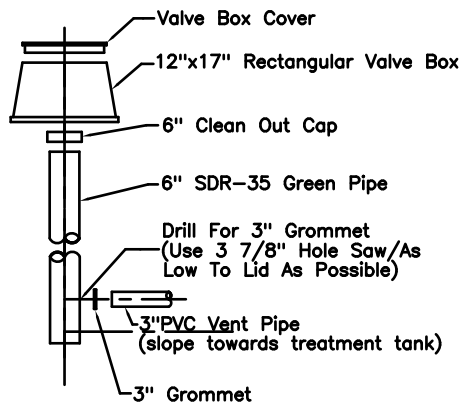


Detail C

Treatment Unit Installation Detail

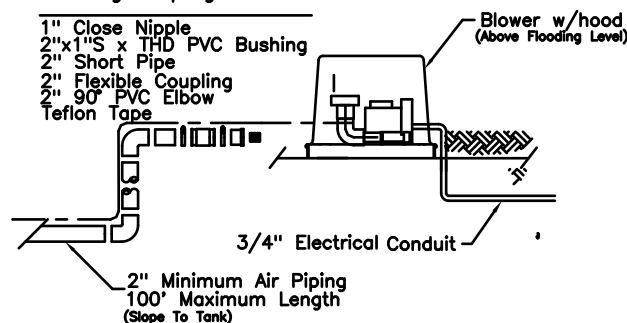


Detail D
Tank Venting System



Detail E

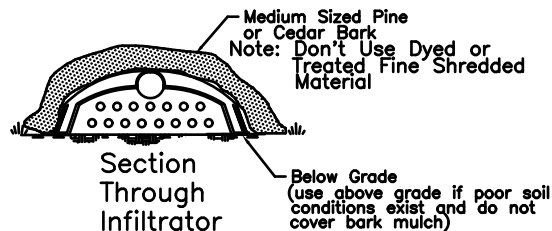
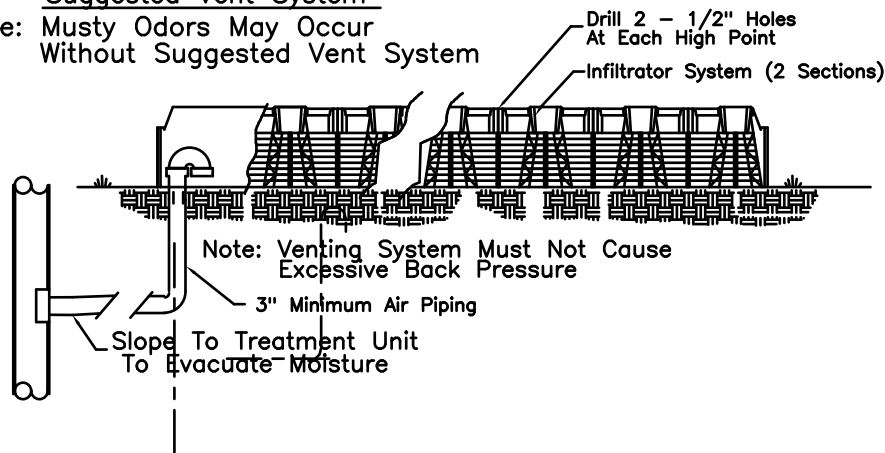
Blower Assembly Detail
Discharge Piping Detail



Detail F

Suggested Vent System

Note: Musty Odors May Occur Without Suggested Vent System



DRAWN	SCALE	DATE	APPROVED
jdu		12/20/04	

7125 East Pickard Road
P. O. Box 309
Mt. Pleasant, MI 48804-0309
ph-989-773-9938
fax-989-772-3415

MILAN
Engineered Systems

BY	JDU	SLB			
DATE					
REVISION	12/04	6/08			
NO	1.	2.	3.	4.	5.

SHEET	2	OF	3
-------	---	----	---

DRAWING NO. M3

