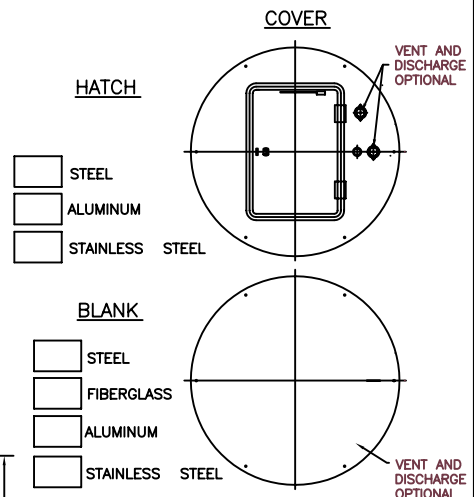
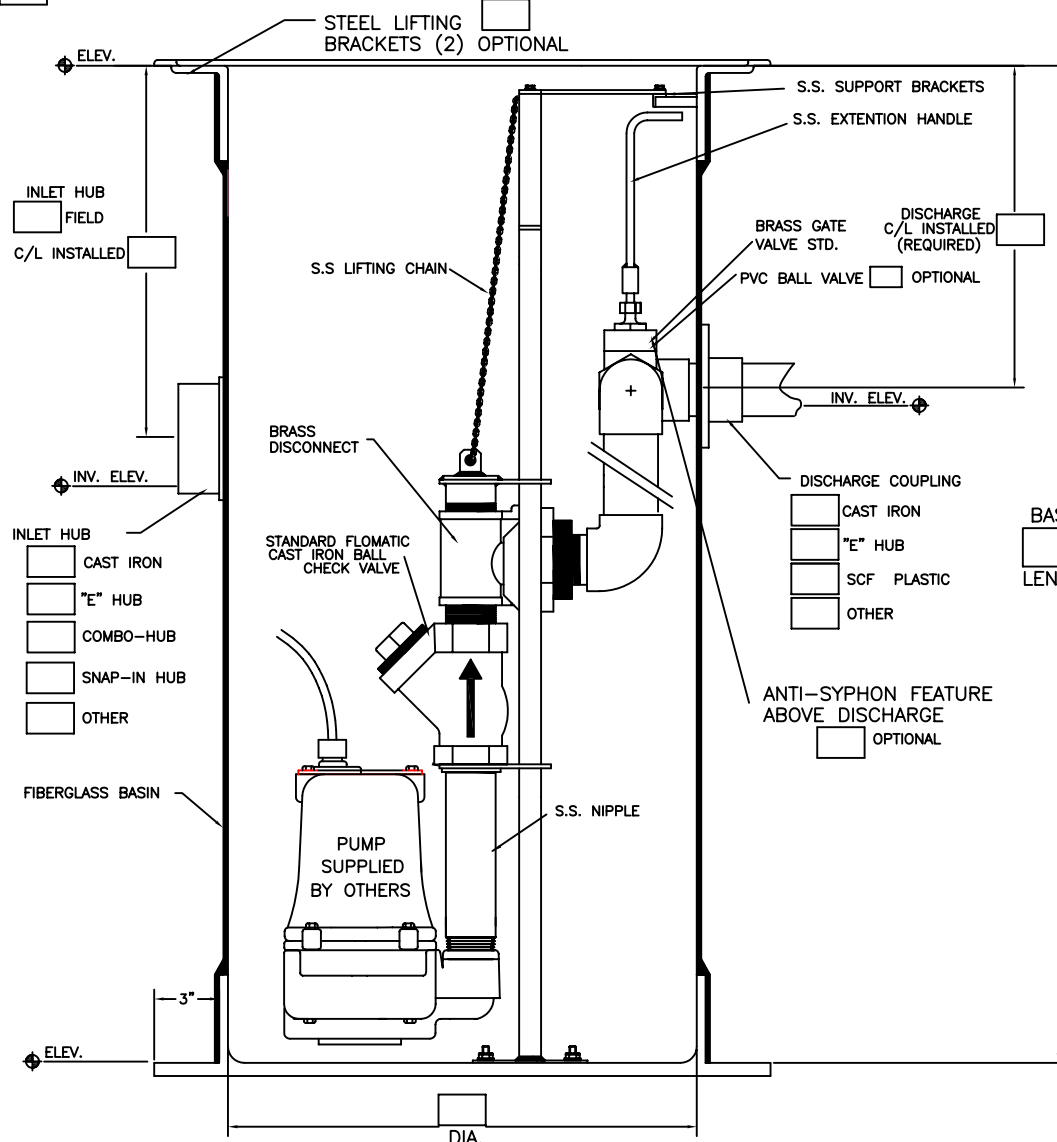
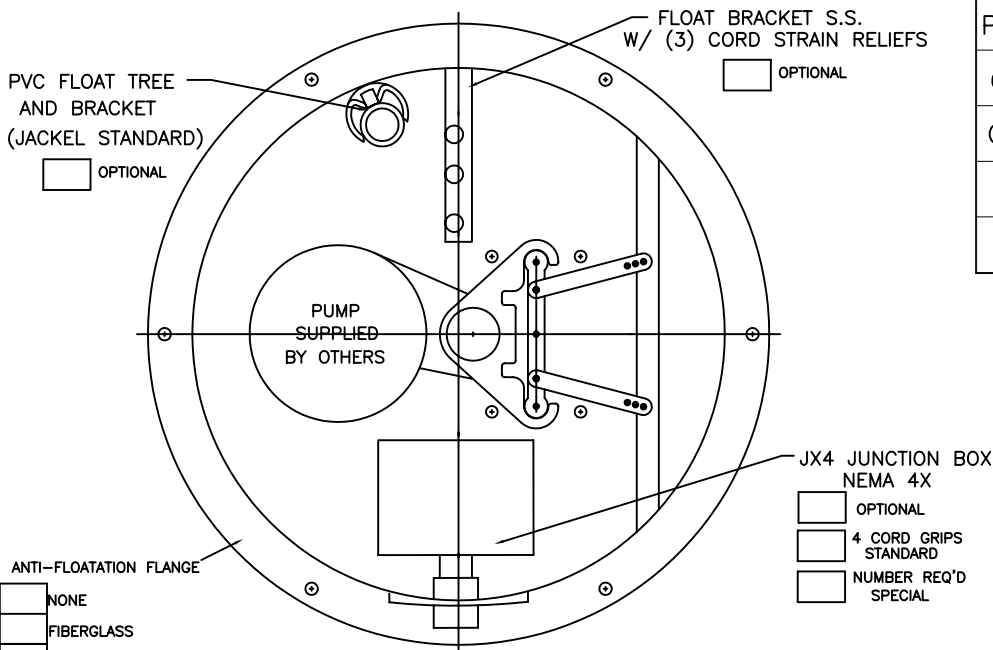


# SIMPLEX RAIL SYSTEM

CUSTOMER	
PART No.	JRJKS- -S- -
P.O. NUMBER	
QUOTED BY:	
ORDER DATE:	
SHIP DATE:	
LEAD TIME:	



OTHER P/N \_\_\_\_\_  
 SCREENED VENT 2"  3"   
**PUMP INFORMATION REQUIRED**  
 PUMP MFG. \_\_\_\_\_  
 MODEL No. \_\_\_\_\_

NOTES:

**JACKEL**

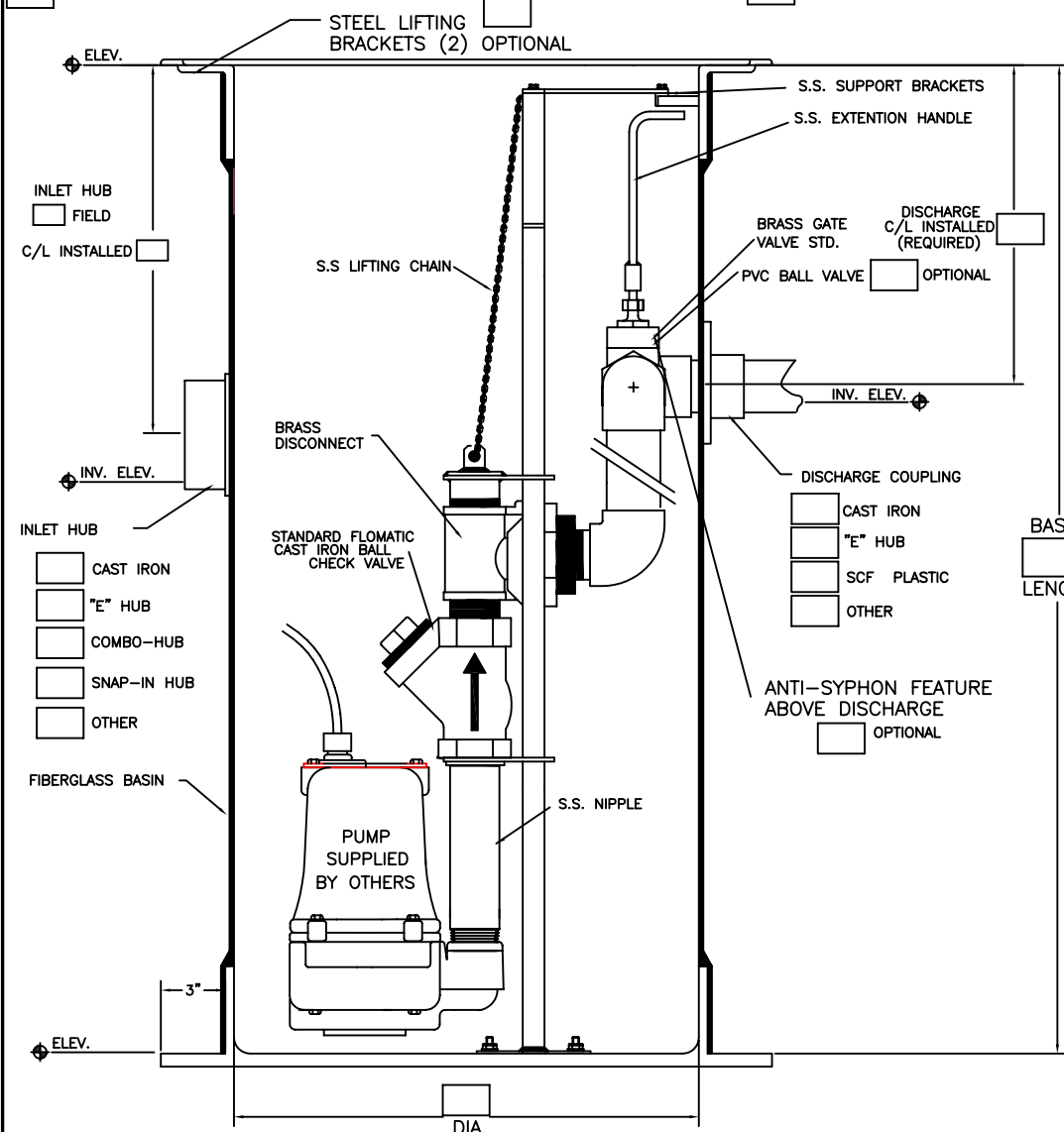
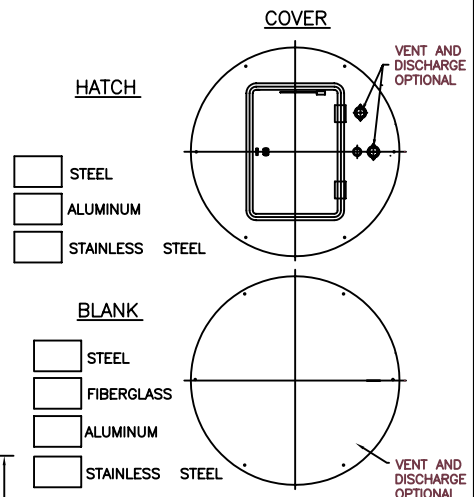
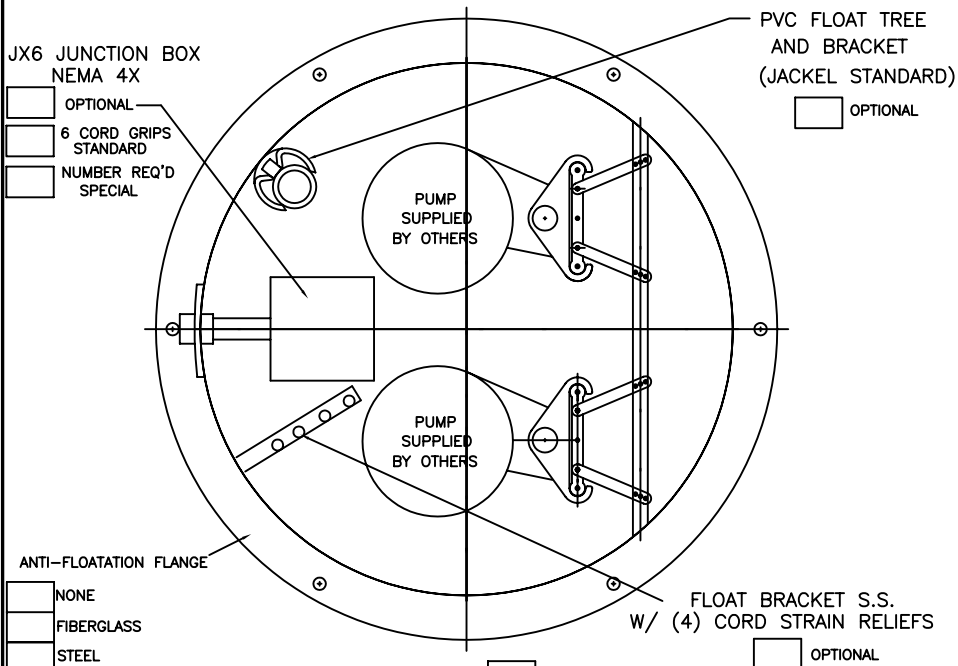
574.256.5635 PHONE 574.256.6966 FAX WWW.JACKELINC.COM

JACKEL PART NUMBER

JRJKS- -S- -

# DUPLEX RAIL SYSTEM

CUSTOMER	
PART No.	JRJKS- -D- -
P.O. NUMBER	
QUOTED BY:	
ORDER DATE:	
SHIP DATE:	
LEAD TIME:	



OTHER P/N \_\_\_\_\_

SCREENED VENT 2"  3"

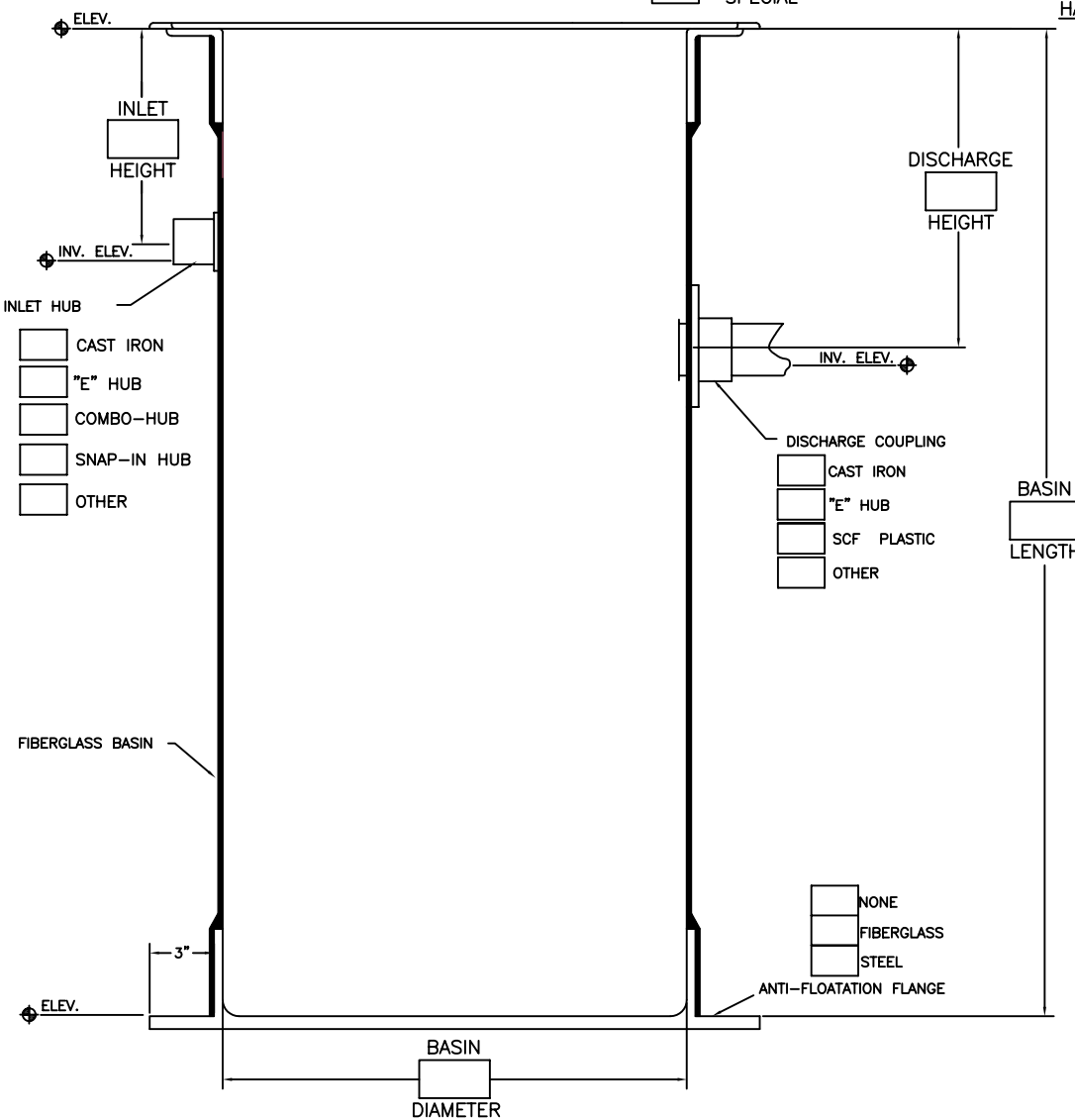
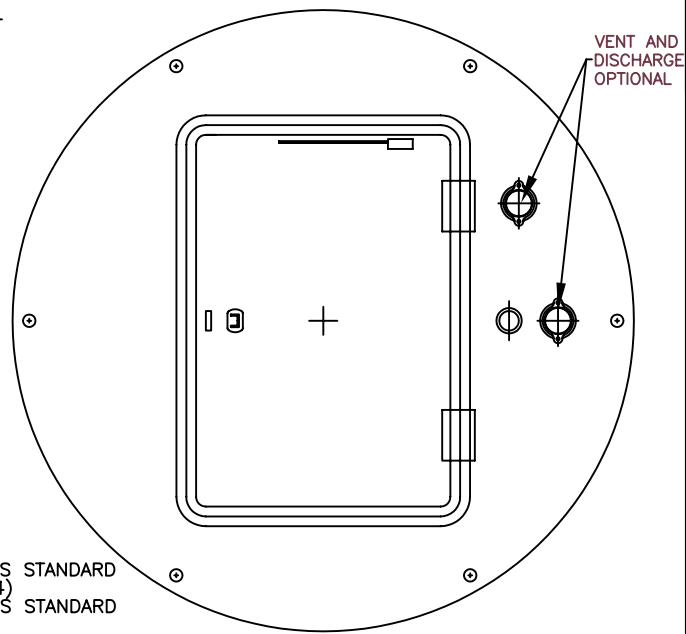
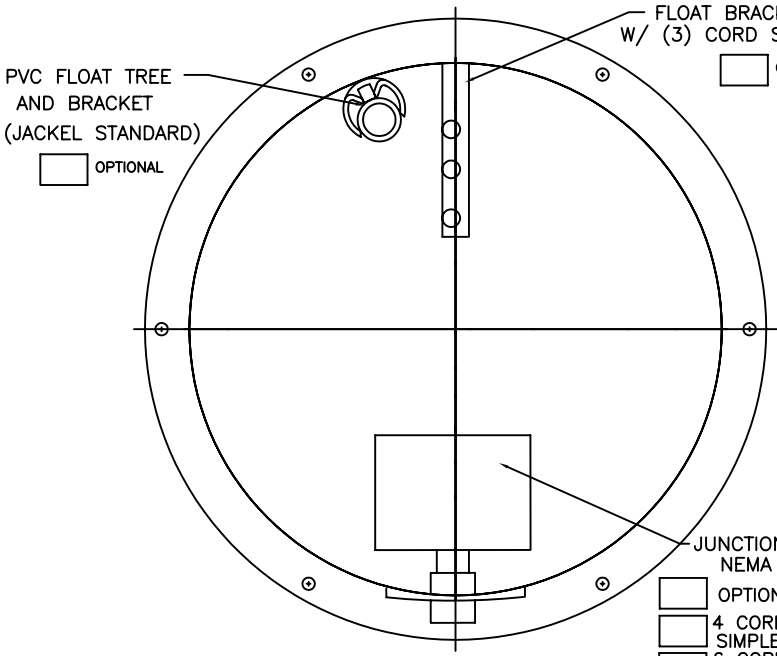
PUMP INFORMATION REQUIRED

PUMP MFG.	
MODEL No.	

NOTES:

# BASIN WITH ACCESSORIES

CUSTOMER	
P.O. No.	
DATE	



**HATCHCOVER**

STEEL

ALUMINUM

STAINLESS STEEL

**BLANK**

STEEL

FIBERGLASS

ALUMINUM

STAINLESS STEEL

**STUDS REQUIRED**

SIMPLEX

DUPLEX

**RAIL INFORMATION**

BRAND	
MODEL No.	

**PUMP INFORMATION**

PUMP MFG.	
MODEL No.	

NOTES OR ADDITIONS—