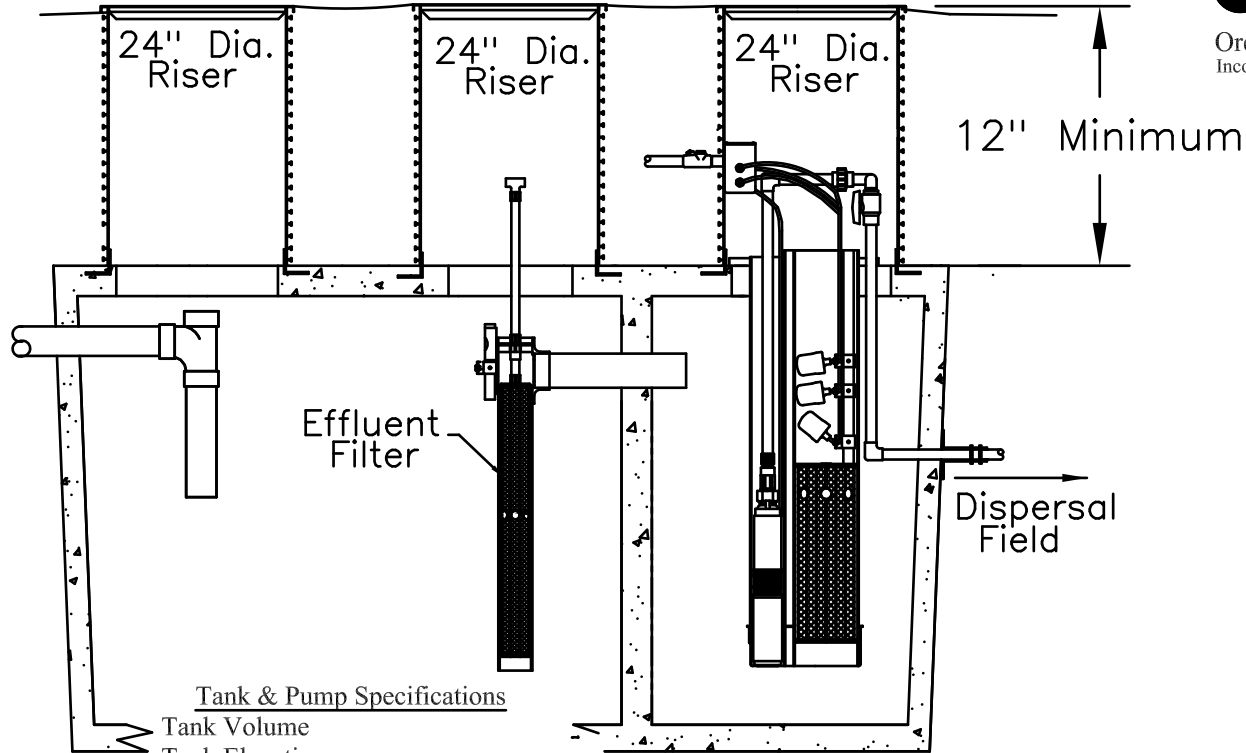


1500 Gallon
2 Compartment Tank



Orengo Systems
Incorporated



Tank & Pump Specifications

Tank Volume _____
Tank Elevations _____

Riser Lid _____
Tank Top (outside) _____
Inlet Invert _____
Outlet Invert _____
Tank Bottom _____

Pump Description

Make _____
Model _____
GPM @ TDH _____
HP _____
Voltage/Phase _____
Dose Volume _____
Pump Vault Model _____
Dischrg Assembly Model _____
Float Model _____
Control Panel Model _____

Water Tight Tankage Spec.

It Is Necessary That Tanks
Be Vacuum Or Water Tested
To Certify Water Tight Tankage.
PVC Acces Risers Must Be
Water Tight, Epoxied To Tankage
And Lids Bolted Down For Liability
Consideration. Contractor/Tank
Manufacturer Shall Be Responsible
For Repair Or Replacement
Of Tanks With Leaks or Defects.
Tankage Must Have 3 Year Warranty

Patents # 4,439,323 &
5,492,635

Foreign Patents Pending
© Orengo Systems, Inc

Step System
Septic Tank Effluent Pump
Model: Step HH PV (2 Comp)

DRAWN jdu
SCALE _____
DATE 12/20/04
APPROVED _____

7125 East Pickard Road
P. O. Box 309
Mt. Pleasant, MI 48804-0309
ph-989-773-9938
fax-989-772-3415



REVISION	DATE	BY
1.	12/04	Idu
2.	6/08	SLB
3.		
4.		
5.		

NO	1.	2.	3.	4.	5.
SHEET	1				
	OF 1				

DRAWING NO.
S7A