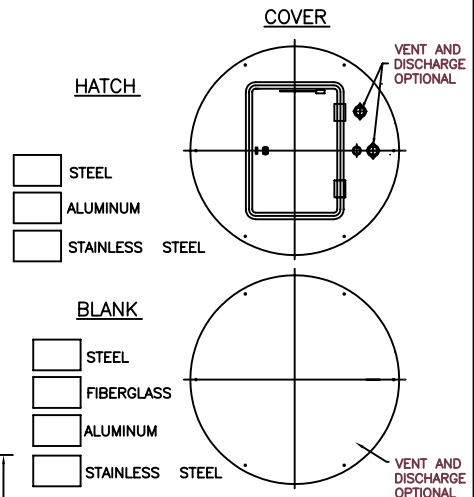
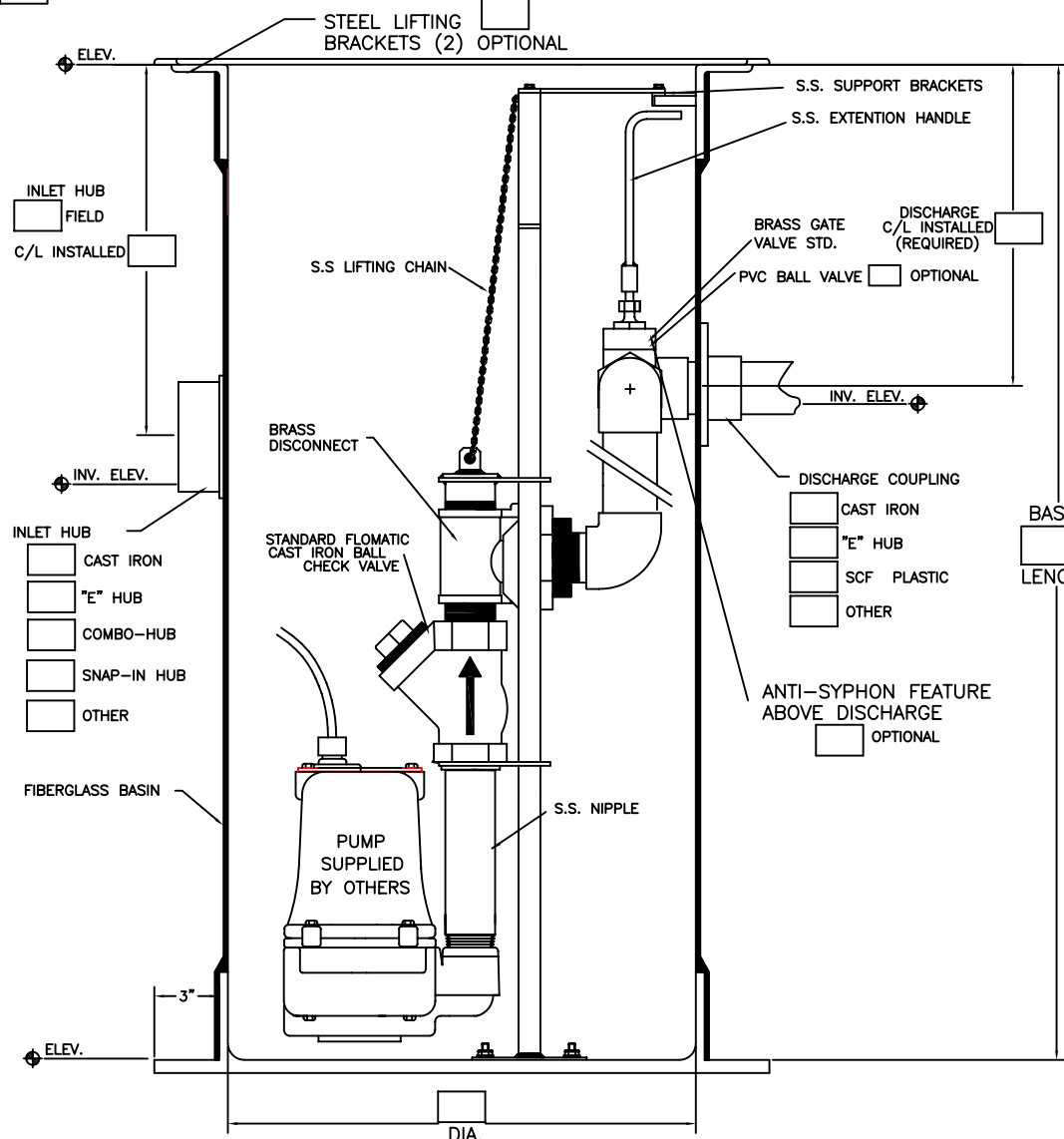
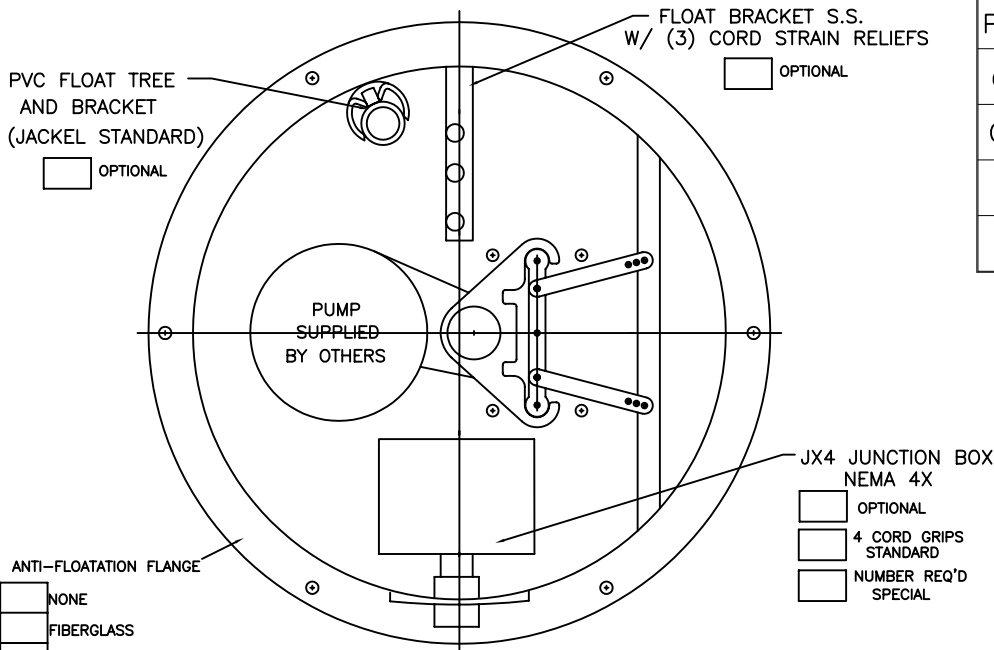


SIMPLEX RAIL SYSTEM

CUSTOMER	
PART No.	JRJKS- -S- -
P.O. NUMBER	
QUOTED BY:	
ORDER DATE:	
SHIP DATE:	
LEAD TIME:	



OTHER P/N _____
 SCREENED VENT 2" 3"
PUMP INFORMATION REQUIRED
 PUMP MFG. _____
 MODEL No. _____

NOTES: