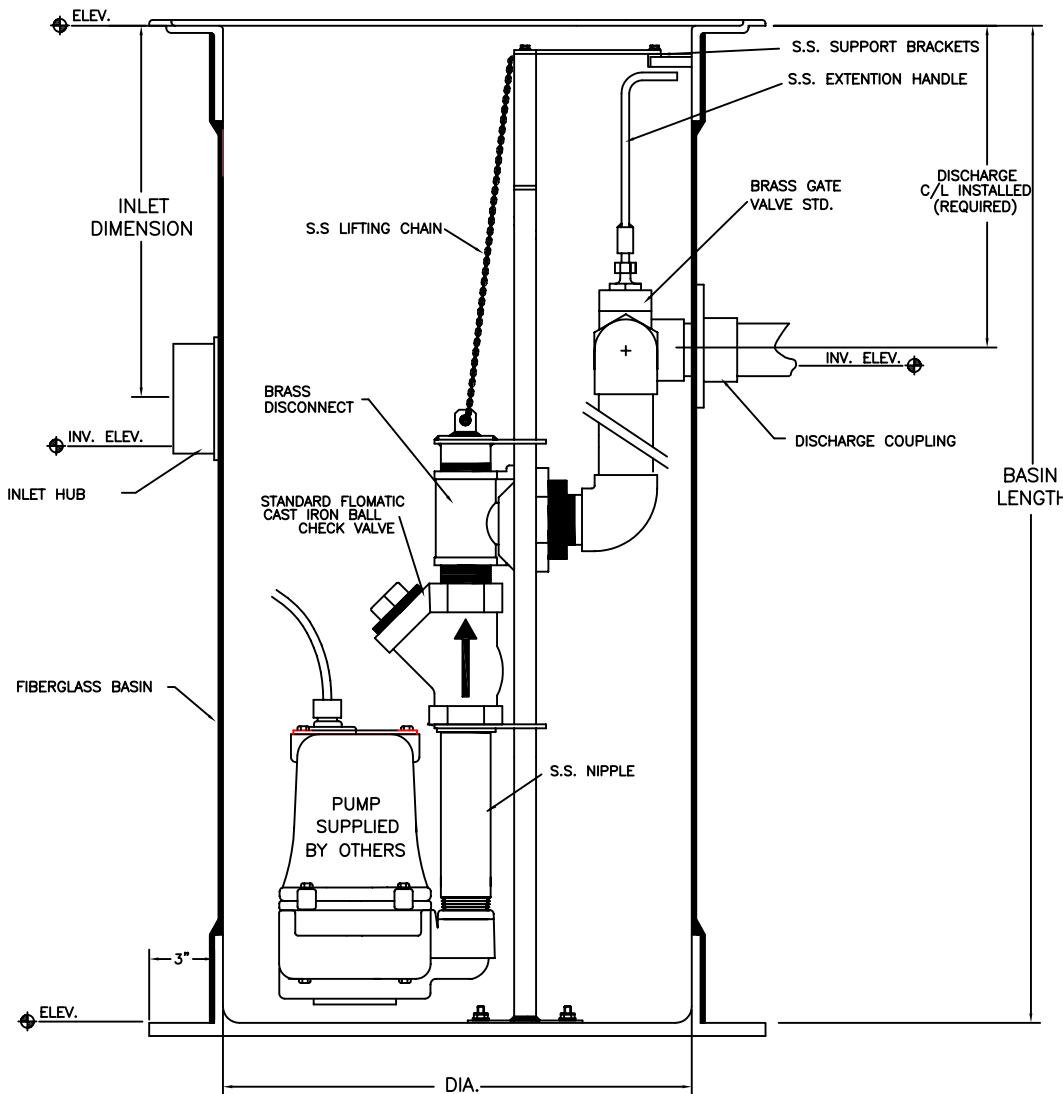
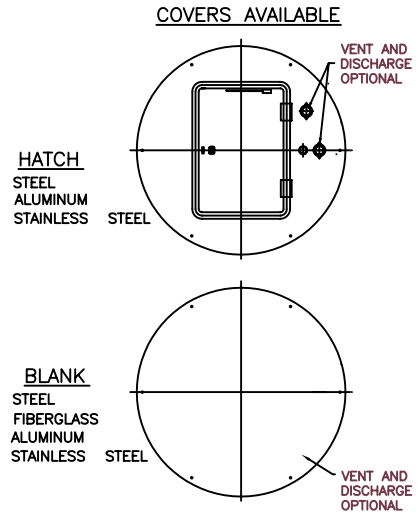
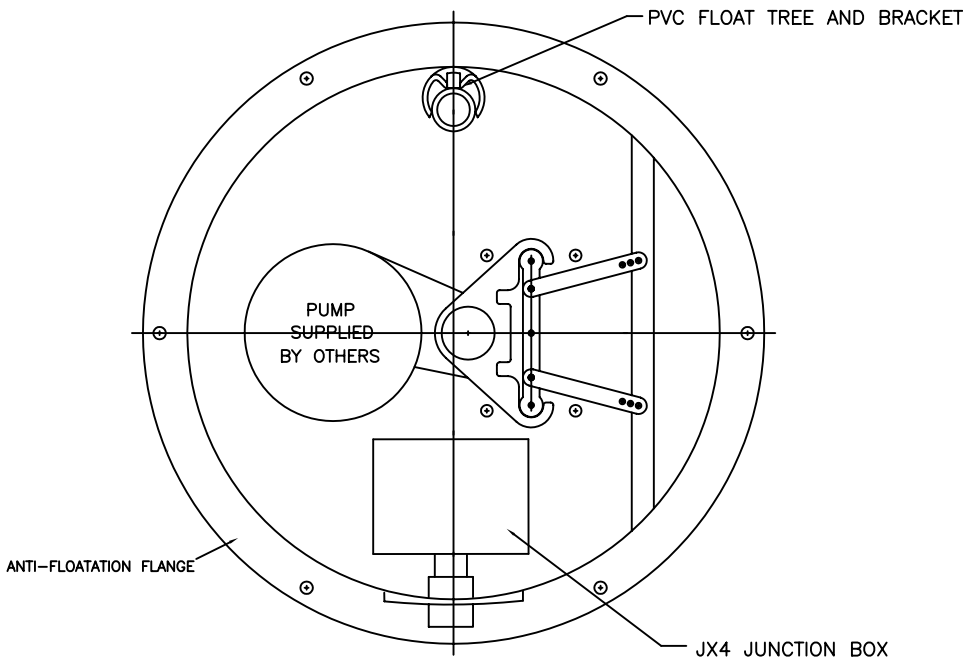


TYPICAL SIMPLEX PUMP STATION

FOR PUMPS WITH 1 1/4", 1 1/2" AND 2" DISCHARGE



QTY.	DESCRIPTION
	BASIN
1	FILAMENT WOUND FIBERGLASS BASIN
1	ANTI-FLOAT OR BASEPLATE OPTIONAL
1 SET	STAINLESS STEEL STUDS (4)
	GUIDE RAIL PACKAGE
1 SET	STAINLESS 3/4" SCH.40 GUIDE RAILS
1 SET	STAINLESS GUIDE PLATE
1	BRASS DISCONNECT
1	STAINLESS DROP-PIPE TO ATTACH PUMP
1	STAINLESS STEEL LIFT OUT CHAIN
1 SET	STAINLESS WALL MOUNTING BRACKETS WITH STAINLESS HARDWARE
	INLET & DISCHARGE PIPING
1	FLEXIBLE DISCHARGE HUB
1	4" FLEXIBLE INLET HUB
AS REQ'D	SCH.80 PVC PIPING & FITTINGS ON DISCHARGE SIDE
	VALVES
1	EPOXY COATED CAST IRON BALL CHECK VALVE INSTALLED PUMP SIDE
1	BRASS GATE VALVE/STAINLESS EXTENSION HANDLE, INSTALLED DISCHARGE SIDE
	ADDITIONS
1	PVC FLOAT TREE
1	NEMA 4X JUNCTION BOX
	OPTIONAL VALVES
	SCH.80 PVC BALL CHECK VALVE
	BRASS SWING CHECK VALVE
	SCH.80 PVC BALL SHUT-OFF VALVE
	SCH.80 PVC TRUE UNION BALL SHUT-OFF VALVE
	OPTIONAL HUBS AND FLANGES
	CAST IRON
	STAINLESS STEEL
	PARALLEL
	ACCESSORIES
	MODEL #2900 FLOAT SWITCHES
	ADAPTOR FOR VENT PROVISION
	ANTI-SYPHON OPTION

JACKEL

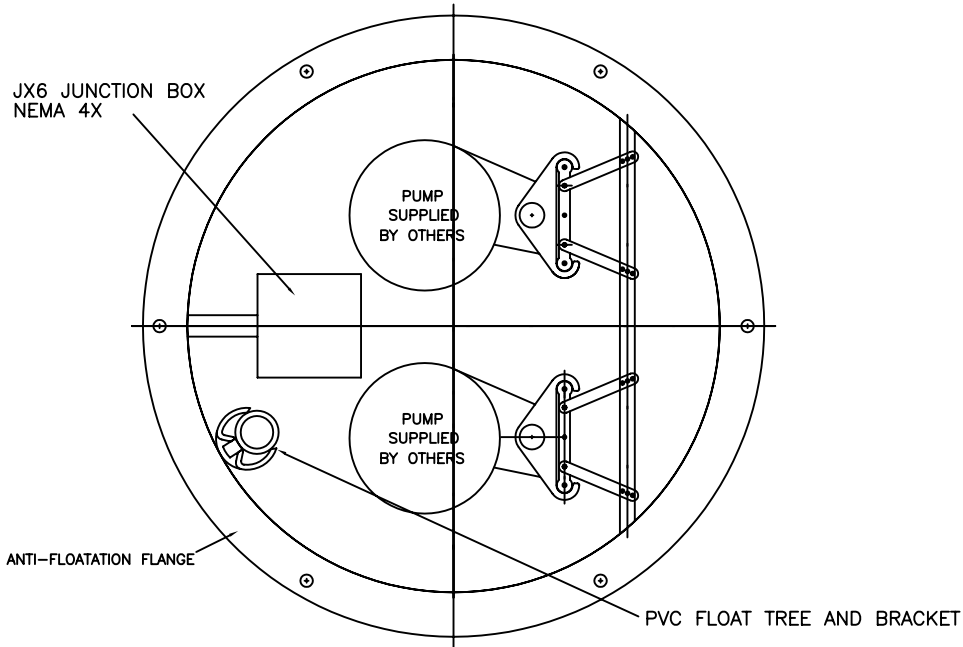
574.256.5635 PHONE 574.256.6966 FAX WWW.JACKELINC.COM

JACKEL PART NUMBER

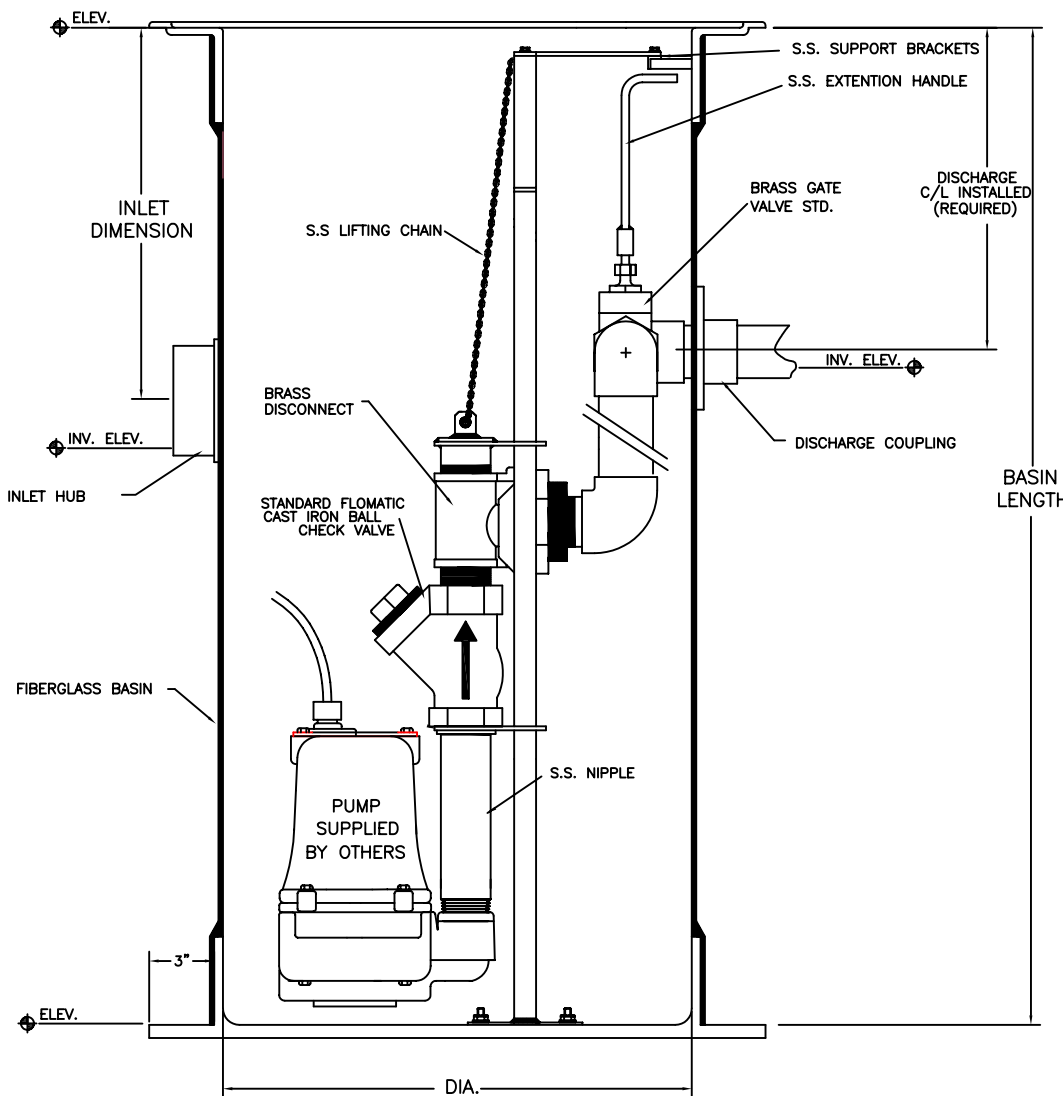
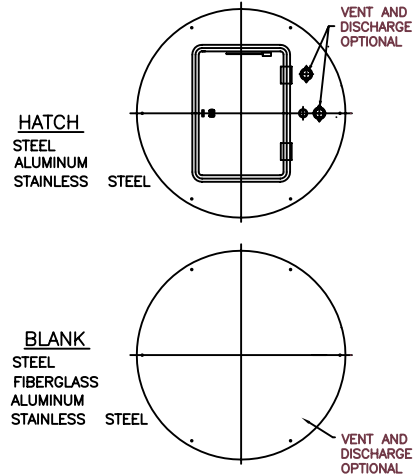
JRJKS-125-150-200-S-FB-JX4
OPTIONAL

TYPICAL DUPLEX PUMP STATION

FOR PUMPS WITH 1 1/4", 1 1/2" AND 2" DISCHARGE



COVERS AVAILABLE



QTY.	DESCRIPTION
	BASIN
1	FILAMENT WOUND FIBERGLASS BASIN
1	ANTI-FLOAT OR BASEPLATE OPTIONAL
2 SETS	STAINLESS STEEL STUDS (8)
	GUIDE RAIL PACKAGE
2 SETS	STAINLESS 3/4" SCH.40 GUIDE RAILS
2 SETS	STAINLESS GUIDE PLATE
2	BRASS DISCONNECT
2	STAINLESS DROP-PIPE TO ATTACH PUMP
2	STAINLESS LIFT OUT CHAINS
2 SETS	STAINLESS WALL MOUNTING BRACKETS WITH STAINLESS HARDWARE
	INLET & DISCHARGE PIPING
1	FLEXIBLE DISCHARGE HUB
1	4" FLEXIBLE INLET HUB
AS REQ'D	SCH.80 PVC PIPING & FITTINGS ON DISCHARGE SIDE
	VALVES
2	EPOXY COATED CAST IRON BALL CHECK VALVE INSTALLED PUMP SIDE
2	BRASS GATE VALVE/STAINLESS EXTENSION HANDLE, INSTALLED DISCHARGE SIDE
	ADDITIONS
1	PVC FLOAT TREE
1	NEMA 4X JUNCTION BOX
	OPTIONAL VALVES
	SCH.80 PVC BALL CHECK VALVE
	BRASS SWING CHECK VALVE
	SCH.80 PVC BALL SHUT-OFF VALVE
	SCH.80 PVC TRUE UNION BALL SHUT-OFF VALVE
	OPTIONAL HUBS AND FLANGES
	CAST IRON
	STAINLESS STEEL
	PARALLEL
	ACCESSORIES
	MODEL #2900 FLOAT SWITCHES
	ADAPTOR FOR VENT PROVISION
	ANTI-SYPHON OPTION

JACKEL

574.256.5635 PHONE 574.256.6966 FAX WWW.JACKELINC.COM

JACKEL PART NUMBER

JRJKS-125 -D-FB-JX4
150
200 OPTIONAL