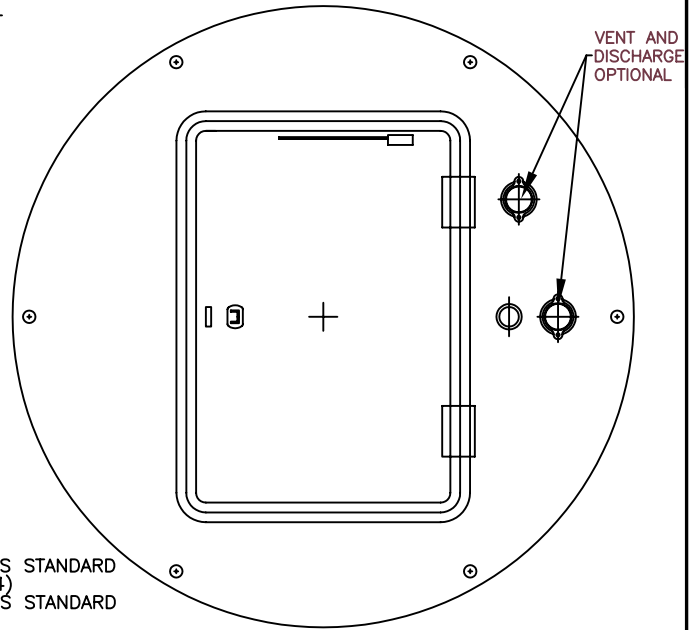
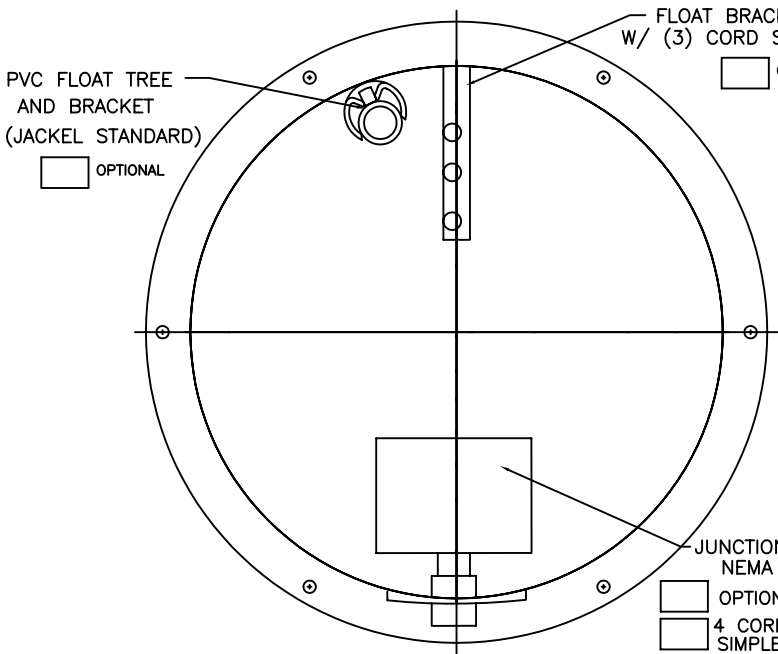


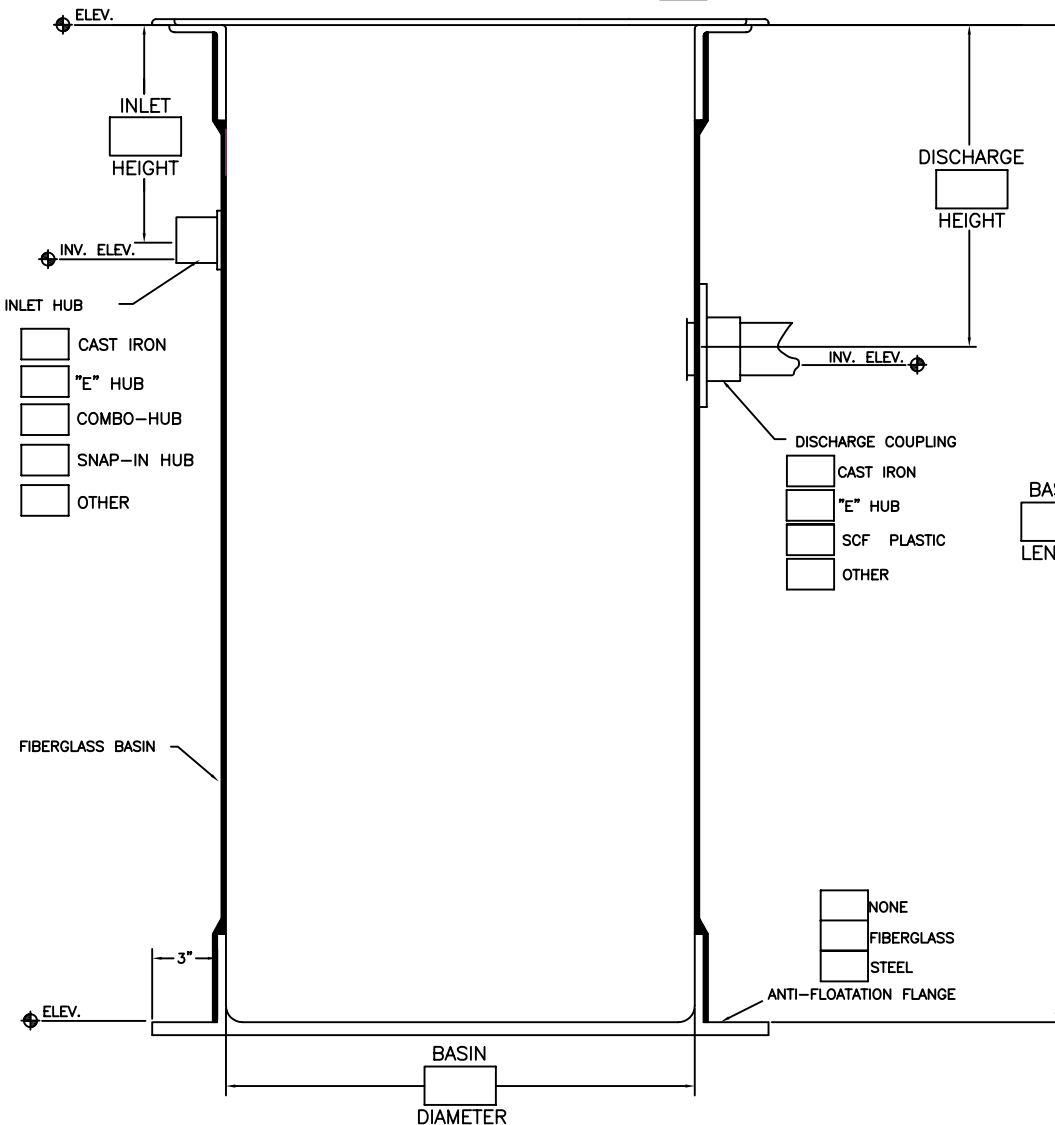
BASIN WITH ACCESSORIES

CUSTOMER	
P.O. No.	
DATE	



- 4 CORD GRIPS STANDARD SIMPLEX (JX4)
- 6 CORD GRIPS STANDARD DUPLEX (JX6)
- NUMBER REQ'D SPECIAL

COVERS AVAILABLE
HATCHCOVER SHOWN



- HATCHCOVER
- STEEL
 - ALUMINUM
 - STAINLESS STEEL
- BLANK
- STEEL
 - FIBERGLASS
 - ALUMINUM
 - STAINLESS STEEL

STUDS REQUIRED

- SIMPLEX
- DUPLEX

RAIL INFORMATION

BRAND	
MODEL No.	

PUMP INFORMATION

PUMP MFG.	
MODEL No.	

NOTES OR ADDITIONS—