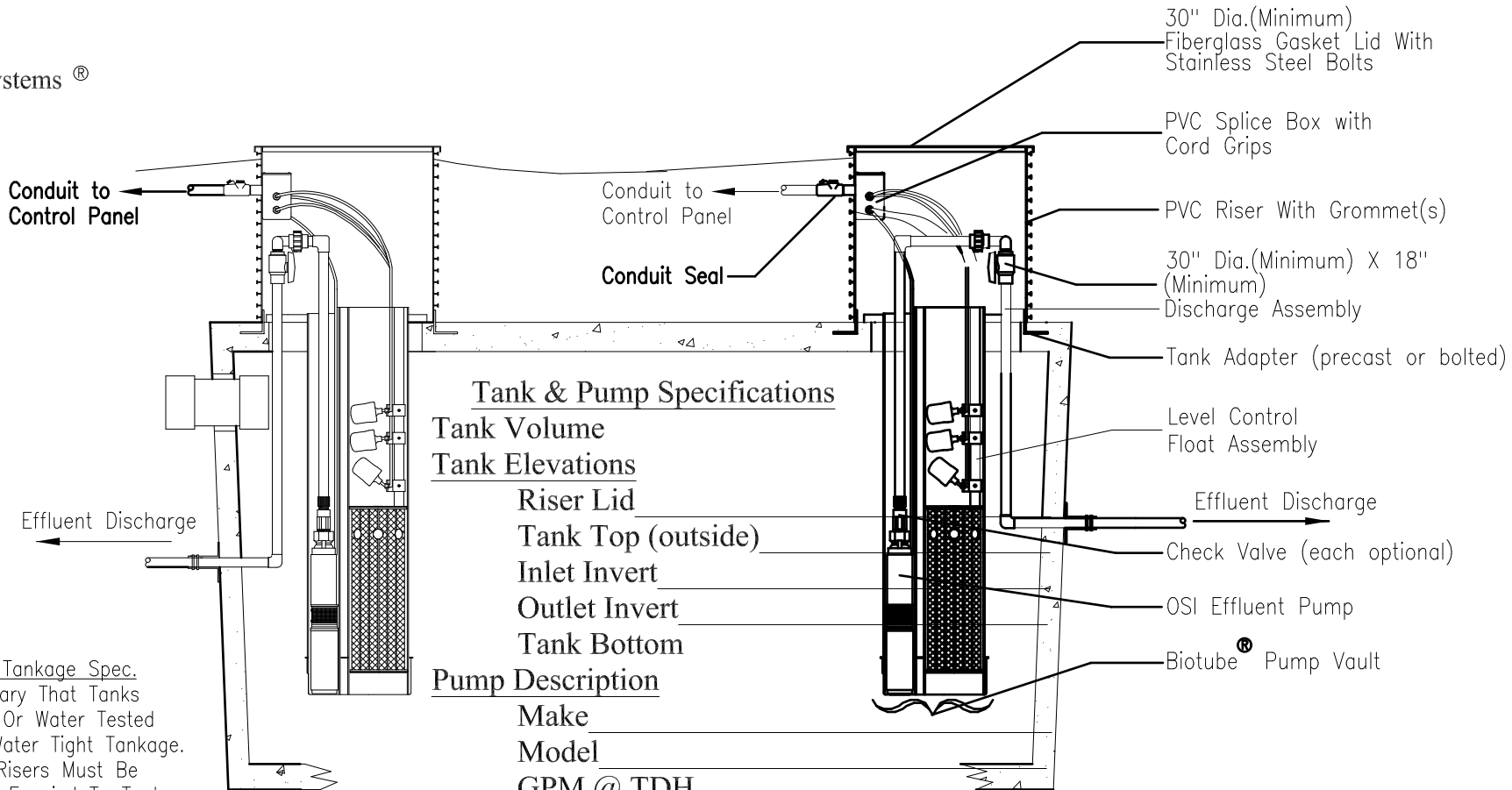




Oreco Systems[®]
Incorporated



Tank & Pump Specifications

Tank Volume _____

Tank Elevations

Riser Lid _____

Tank Top (outside) _____

Inlet Invert _____

Outlet Invert _____

Tank Bottom _____

Pump Description

Make _____

Model _____

GPM @ TDH _____

HP _____

Voltage/Phase _____

Dose Volume _____

Pump Vault Model _____

Dischrge Assembly Model _____

Float Model _____

Control Panel Model _____

Water Tight Tankage Spec.
It Is Necessary That Tanks
Be Vacuum Or Water Tested
To Certify Water Tight Tankage.
PVC Acces Risers Must Be
Water Tight, Epoxied To Tankage
And Lids Bolted Down For Liability
Consideration. Contractor/Tank
Manufacturer Shall Be Responsible
For Repair Or Replacement
Of Tanks With Leaks or Defects.
Tankage Must Have 3 Year Warranty.
Patents # 4,439,323 & 5,492,635
Foreign Patents Pending
© Oreco Systems, Inc.

DRAWN	jdu
SCALE	
DATE	12/20/04
APPROVED	

7125 East Pickard Road
P. O. Box 309
Mt. Pleasant, MI 48804-0309
ph-989-773-9938
fax-989-772-3415



REVISION	DATE	BY
1.	12/04	jdu
2.	6/08	SLB
3.		
4.		
5.		

NO	1.	2.	3.	4.	5.
SHEET					
	1				
	OF	1			

DRAWING NO.
SD3

Duplex Effluent Pumping System

STEP HH Duplex 2V (End)
2 Vaults-1 Pump Each