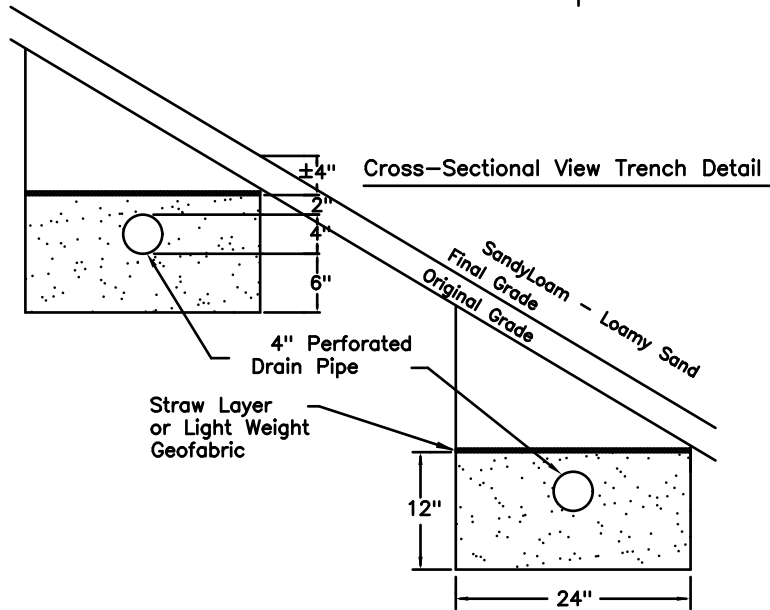
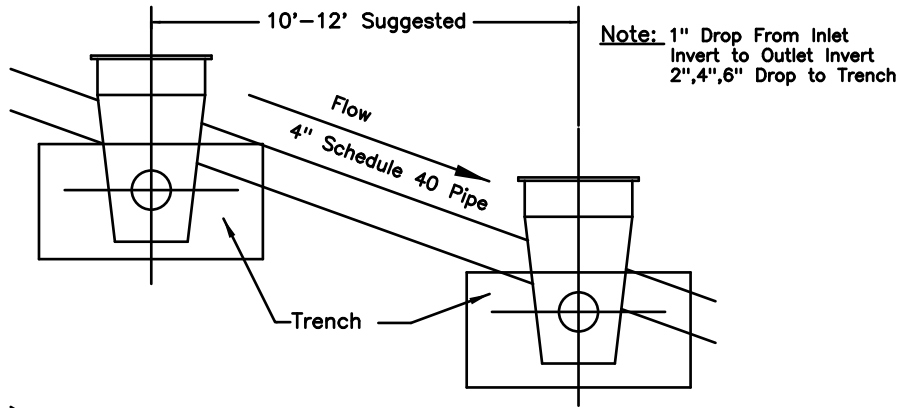
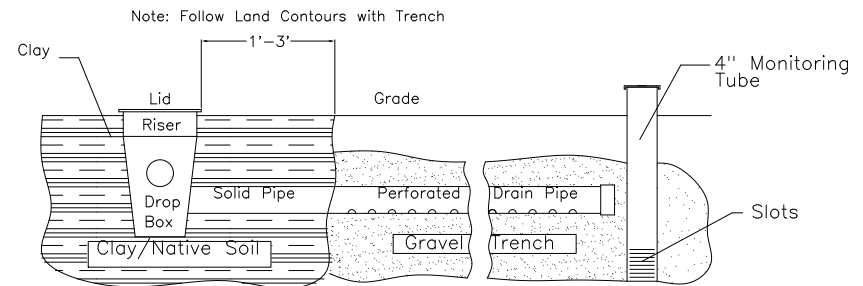
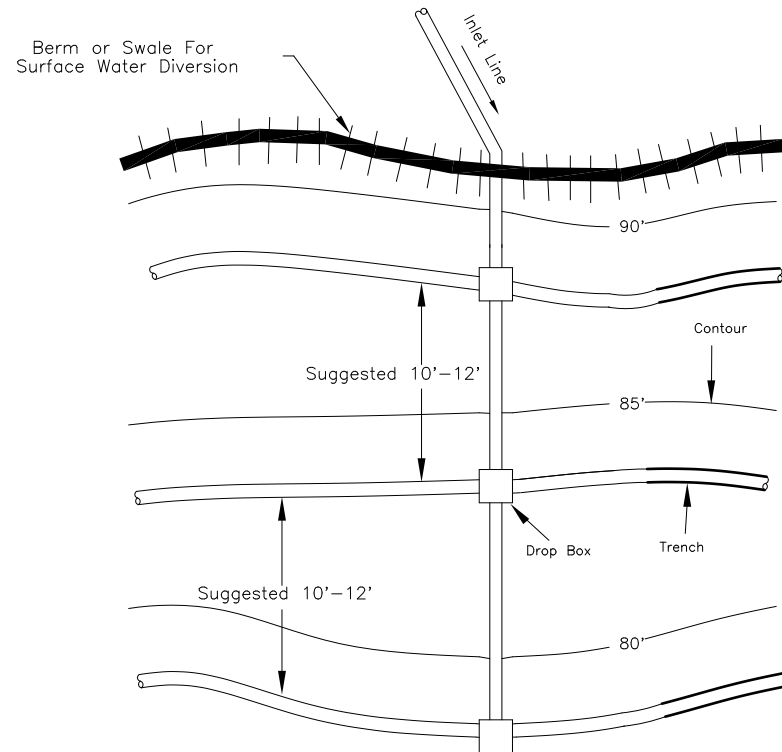


# Cross-Sectional View Connecting Manifold



# Plan View of Drop Trench Layout



DRAWN	jdu
SCALE	
DATE	12/20/04
APPROVED	

7125 East Pickard Road  
P. O. Box 309  
Mt. Pleasant, MI 48804-0309  
ph-989-773-9938  
fax-989-772-3415



NO	REVISION	DATE	BY
1.		12/04	jdu
2.		6/08	SLB
3.			
4.			
5.			

SHEET  
1 OF 1

DRAWING NO.  
TR1